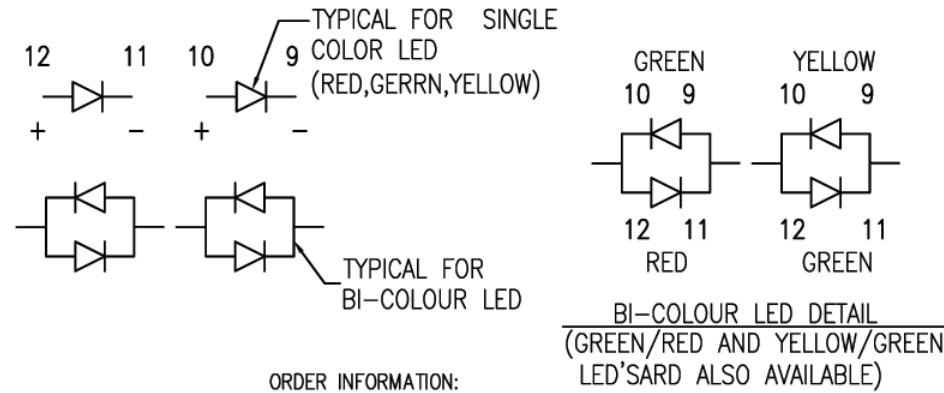
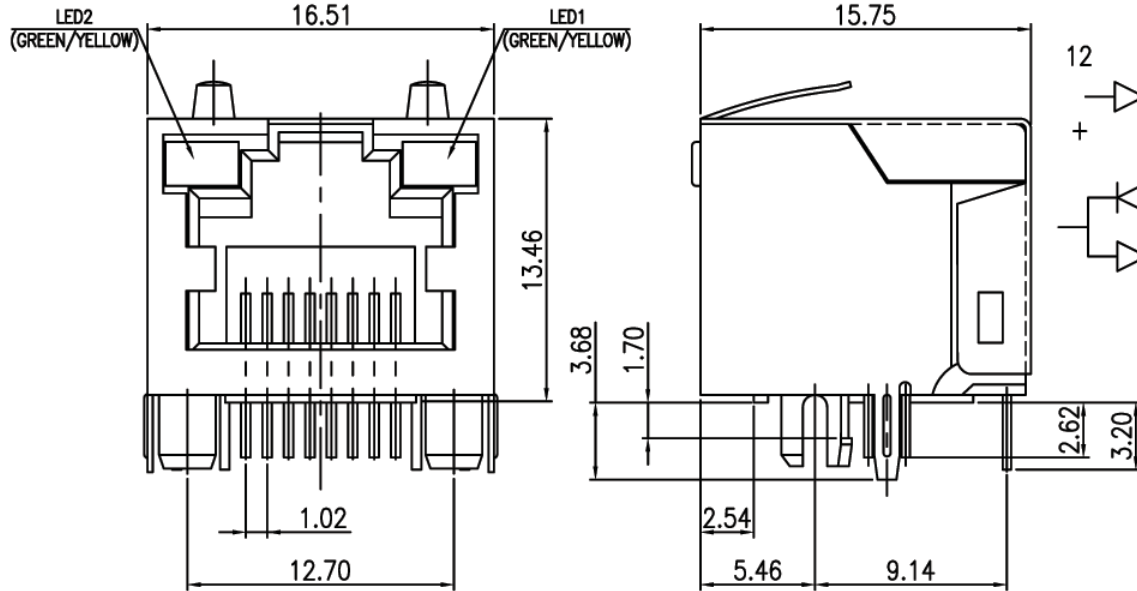


V1.1 NOTE: THIS DEVICE IS ROHS COMPLIANT.

REVISIONS										
SYM	DISCRIPTION			DATE	APPROVED	SYM	DISCRIPTION		DATE	APPROVED
△	NOTE	ROHS	STANDARD	10/FEB/06'	AARON	△				
△						△				

**\*\*CUSTOMER DRAWING FOR REFERENCE ONLY, SAMPLES APPROVAL ARE REQUIRED!!**

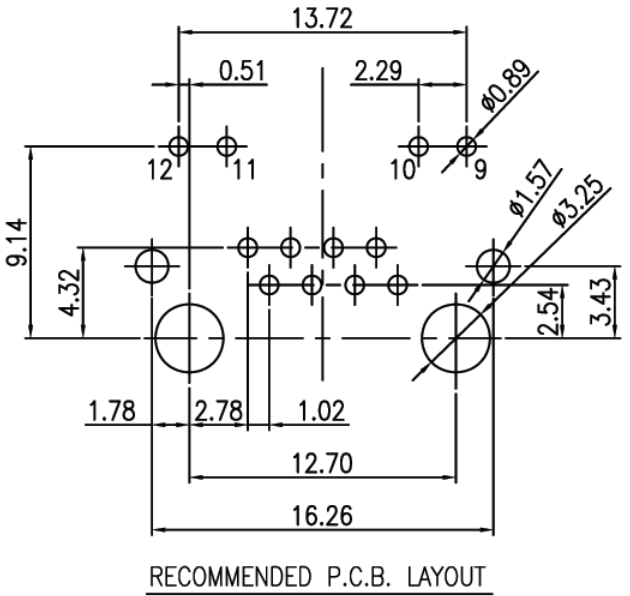


ORDER INFORMATION:  
 MJK188-Pa881GXsbt-LX  
 MJK: MODULAR JACK  
 188: SERIES NO.  
 Pa: TERMINAL TYPE, PCB TYPE, RIGHT ANGLE  
 88: NO. OF CONTACT, 8P8C  
 1: COLOR OF PLASTIC, BLACK  
 GX: CONTACT PLATING  
 Gft: GOLD FLUSH ON CONTACT, TIN PLATING ON SOLDER TAIL  
 G15t: 15u" GOLD ON CONTACT, TIN PLATING ON SOLDER TAIL  
 G30t: 30u" GOLD ON CONTACT, TIN PLATING ON SOLDER TAIL  
 G50t: 50u" GOLD ON CONTACT, TIN PLATING ON SOLDER TAIL  
 Sbt: SHIELDING OPTION, SHIELDED WITH PANEL GROUNDING TAB, TOP SPRING ONLY  
 LX: LED OPTIONS (SEE TABLE)

- ELECTRICAL:**
- VOLTAGE RATING: AC 125V RMS.
  - CURRENT RATING: 1.5A.
  - CONTACT RESISTANCE: 30mΩ MAX.
  - INSULATION RESISTANCE: 1000MΩ MIN. AT DC 500V.
  - DIELECTRIC STRENGTH: AC 1000V RMS 60Hz, 1 MINUTE.
  - OPERATING: 750 CYCLES MIN.

**MATERIALS:**  
 PLASTIC HOUSING: ENGINEERING THERMOPLASTIC  
 FLAMMBILITY RATING UL 94V-0  
 CONTACTS: PHOSPHOR BRONE  
 PLATING: GOLD PLATING OVER NICKEL IN CONTACT, TIN PLATING OVER NICKEL IN SOLDER AREA.  
 SHIELD: COPPER ALLOY PLATING TIN/LEAD ALLOY.

- ENVIRONMENTAL:**
- STORAGE: -40°C TO +85°C.
  - OPERATION: 0°C TO 70°C.



LX	LED1	LED2
L1	GREEN	YELLOW
L2	GREEN	GREEN
L3	YELLOW	GREEN
L5	RED	GREEN
L7	YELLOW	YELLOW
L8	BI-COLOUR G/Y	BI-COLOUR G/Y

LED OPTIONS

TOLERANCES UNLESS OTHERWISE SPECIFIED ±0.25			SIGNATURES	DATE	MODEL
SYMBOL	UNIT	SCALE	DRAWN VIVI	03/OCT/03'	TITLE MODULAR JACK
△	mm	4/1	CHECKED ZOLA	03/OCT/03'	NO. MJK188-Pa881G_Sbt-L_
			APPROVALS		

**Machrone**