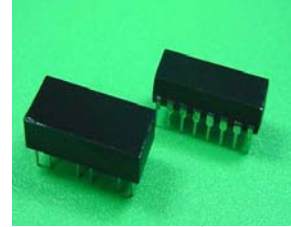


41T/43T - SERIES

ISDN S-INTERFACE TRANSFORMER SURFACE MOUNT AND THROUGH HOLE

FEATURES

- Meets pulse waveform template of CCITT I.430 when recommended transformer and chip pair is used
- Excellent longitudinal balance
- 2KV rms isolation voltage
- Recognized by UL 1950



TEST CONDITIONS

- Inductance 10KHZ/200mV
- Leakage Inductance 100KHZ/1V
- Interwinding Capacitance 1MHZ/1V

ELECTRICAL SPECIFICATIONS @25°C-Operating temperature 0°C TO 70°C

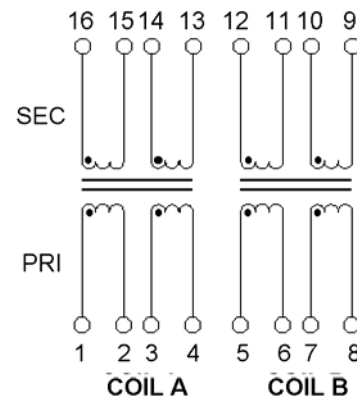
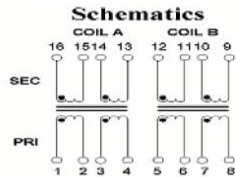
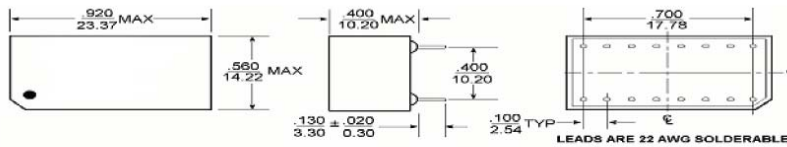
Part Number	Ratio (±2%)		OCL Pri. (mH) min.	LL Sec. (uH) max.		CW/W (pf) max.	CD Pri. (pf) max.		DCR Pri. (Ω±15%)		DCR Sec. (Ω±15%)		ΔIdc (mA) max.
	A	B		A	B		A	B	A	B	A	B	
41T/43T-2231	1:1	1:2	22	5	5	100	42	80	2.4	2.3	2.4	4.0	1
41T/43T-2232	1:1	1:1	22	5	5	100	42	42	2.4	2.4	2.4	2.4	1
41T/43T-2233	1:1.8	1:1.8	22	15	15	100	140	140	2.5	2.5	4.2	4.2	1
41T/43T-2234	1:2	1:2	22	15	15	100	80	80	2.5	2.5	4.3	4.3	1
41T/43T-2235	1:2.5	1:2.5	22	8-40	8-40	100	110	110	2.5	2.5	5.8	5.8	1
41T/43T-2236	1:2	1:2	22	11	11	100	180	180	2.4	2.4	4.4	4.4	1

MARKINGS AND DIMENSIONS

SCHEMATICS

Dimensions: inches/mm unless otherwise specified, all tolerances are ±.010/±0.25

41T



43T

