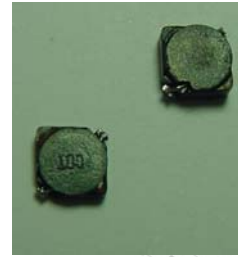


# SMD Power Inductors

## Features

- Ultra low profile.
- Magnetic shielded for low radiation.
- Low core loss for high frequency power application.
- Large terminal surface for good PCB bonding



## Applications

- Digital cameras
- CD players

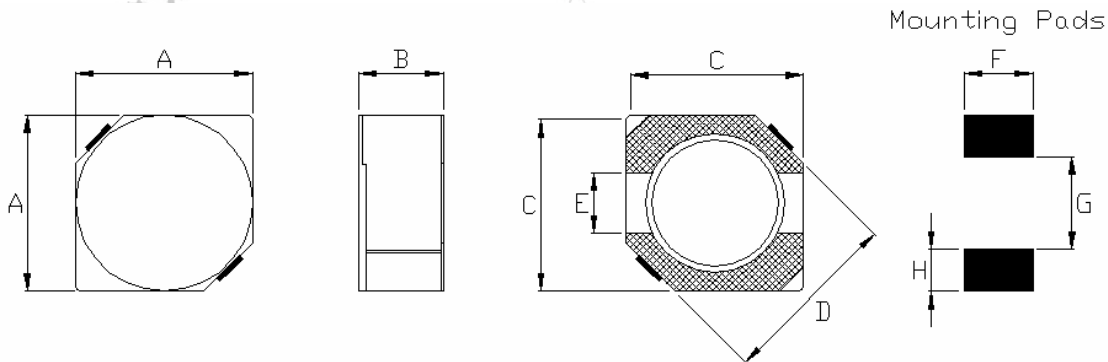
## Part Number Systems

**SIRHT - 6738 - 100 - M - LF**

(1) (2) (3) (4) (5)

(1)	Product series	(2)	Size: 6738
(3)	Inductance Value: 100 = 100uH	(4)	Inductance Tolerance:
(5)	ROHs Compliant		M = ± 20%, L = ±15%, K = ± 10%

## Shape And Dimensions



Unit: mm

Type	A	B (Max)	C	D (Max)	E Ref.	F Ref.	G Ref.	H Ref.
6738	6.7 ± 0.3	4.0	6.5	9.5	2.0	7.3	2.0	2.65

## SMD Power Inductors

SIRHT-6738-Series		ELECTRICAL CHARACTERISTICS			
Part Number	Inductance (uH)	Tolerance	L Test Frequency	Rdc (Ω) Max	Idc (A) Max
SIRHT-6738-3R3M-LF	3.3	M	10KHZ	0.020	3.50
SIRHT-6738-5R0M-LF	5.0	M	10KHZ	0.024	2.90
SIRHT-6738-6R2M-LF	6.2	M	10KHZ	0.027	2.50
SIRHT-6738-7R4M-LF	7.4	M	10KHZ	0.031	2.30
SIRHT-6738-8R7M-LF	8.7	M	10KHZ	0.034	2.20
SIRHT-6738-100M-LF	10	M	10KHZ	0.038	2.00
SIRHT-6738-120M-LF	12	M	10KHZ	0.053	1.70
SIRHT-6738-150M-LF	15	M	10KHZ	0.057	1.60
SIRHT-6738-180M-LF	18	M	10KHZ	0.092	1.50
SIRHT-6738-220M-LF	22	M	10KHZ	0.096	1.30
SIRHT-6738-270M-LF	27	M	10KHZ	0.109	1.20
SIRHT-6738-330M-LF	33	M	10KHZ	0.124	1.10
SIRHT-6738-390M-LF	39	M	10KHZ	0.138	1.00
SIRHT-6738-470M-LF	47	M	10KHZ	0.155	0.95
SIRHT-6738-560M-LF	56	M	10KHZ	0.202	0.85
SIRHT-6738-680M-LF	68	M	10KHZ	0.234	0.75
SIRHT-6738-820M-LF	82	M	10KHZ	0.324	0.70
SIRHT-6738-101M-LF	100	M	10KHZ	0.358	0.65

\* All specifications are subjected to change without prior notice.