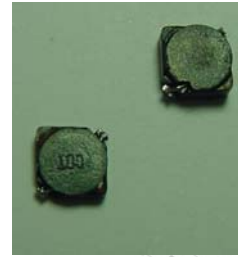


# SMD Power Inductors

## Features

- Ultra low profile.
- Magnetic shielded for low radiation.
- Low core loss for high frequency power application.
- Large terminal surface for good PCB bonding



## Applications

- Digital cameras
- CD players

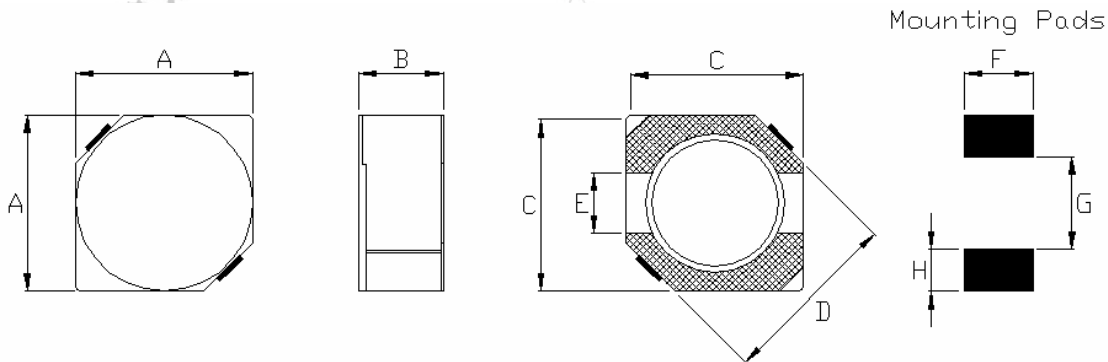
## Part Number Systems

**SIRHT - 6728 - 100 - M - LF**

(1) (2) (3) (4) (5)

(1)	Product series	(2)	Size: 6728
(3)	Inductance Value: 100 = 100uH	(4)	Inductance Tolerance:
(5)	ROHs Compliant		M = ± 20%, L = ±15%, K = ± 10%

## Shape And Dimensions



Unit: mm

Type	A	B (Max)	C	D (Max)	E Ref.	F Ref.	G Ref.	H Ref.
6728	6.7 ± 0.3	3.0	6.5	9.5	2.0	7.3	2.0	2.65

## SMD Power Inductors

SIRHT-6728-Series		ELECTRICAL CHARACTERISTICS			
Part Number	Inductance (uH)	Tolerance	L Test Frequency	Rdc (Ω) Max	Idc (A) Max
SIRHT-6728-3R0M-LF	3.0	M	10KHZ	0.024	3.00
SIRHT-6728-3R9M-LF	3.9	M	10KHZ	0.027	2.60
SIRHT-6728-5R0M-LF	5.0	M	10KHZ	0.031	2.40
SIRHT-6728-6R0M-LF	6.0	M	10KHZ	0.035	2.25
SIRHT-6728-7R3M-LF	7.3	M	10KHZ	0.054	2.10
SIRHT-6728-8R6M-LF	8.6	M	10KHZ	0.058	1.85
SIRHT-6728-100M-LF	10	M	10KHZ	0.065	1.70
SIRHT-6728-120M-LF	12	M	10KHZ	0.070	1.55
SIRHT-6728-150M-LF	15	M	10KHZ	0.084	1.40
SIRHT-6728-180M-LF	18	M	10KHZ	0.095	1.32
SIRHT-6728-220M-LF	22	M	10KHZ	0.128	1.20
SIRHT-6728-270M-LF	27	M	10KHZ	0.142	1.05
SIRHT-6728-330M-LF	33	M	10KHZ	0.165	0.97
SIRHT-6728-390M-LF	39	M	10KHZ	0.210	0.86
SIRHT-6728-470M-LF	47	M	10KHZ	0.238	0.80
SIRHT-6728-560M-LF	56	M	10KHZ	0.277	0.73
SIRHT-6728-680M-LF	68	M	10KHZ	0.304	0.65
SIRHT-6728-820M-LF	82	M	10KHZ	0.390	0.60
SIRHT-6728-101M-LF	100	M	10KHZ	0.535	0.54

\* All specifications are subjected to change without prior notice.