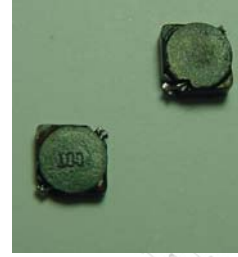


SMD Power Inductors

Features

- Ultra low profile.
- Magnetic shielded for low radiation.
- Low core loss for high frequency power application.
- Large terminal surface for good PCB bonding



Applications

- Digital cameras
- CD players

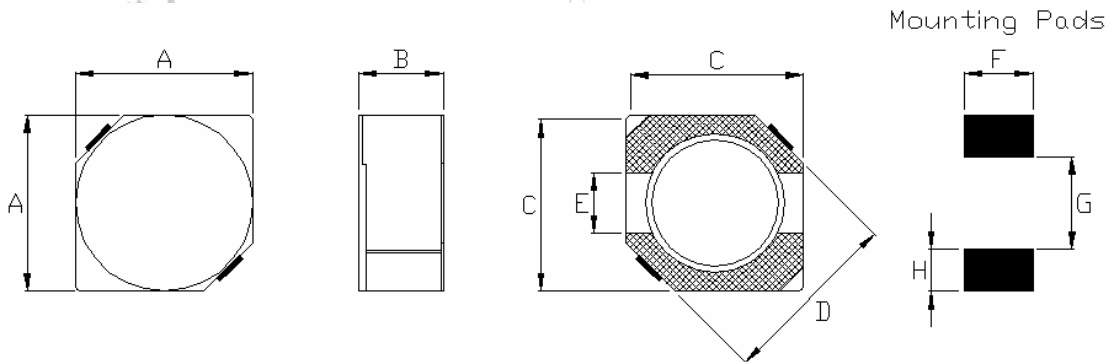
Part Number Systems

SIRHT - 5728 - 100 - M - LF

(1) (2) (3) (4) (5)

(1)	Product series	(2)	Size: 5728
(3)	Inductance Value: 100 = 100uH	(4)	Inductance Tolerance:
(5)	ROHs Compliant		M = ± 20%, L = ±15%, K = ± 10%

Shape And Dimensions



Unit: mm

Type	A	B (Max)	C	D (Max)	E Ref.	F Ref.	G Ref.	H Ref.
5728	5.7 ± 0.3	3.0	5.5	8.2	2.0	6.3	2.0	2.15

SMD Power Inductors

SIRHT-5728-Series		ELECTRICAL CHARACTERISTICS			
Part Number	Inductance (uH)	Tolerance	L Test Frequency	Rdc (Ω) Max	Idc (A) Max
SIRHT-5728-2R6M-LF	2.6	M	10KHZ	0.018	2.60
SIRHT-5728-3R0M-LF	3.0	M	10KHZ	0.024	2.40
SIRHT-5728-4R2M-LF	4.2	M	10KHZ	0.031	2.20
SIRHT-5728-5R3M-LF	5.3	M	10KHZ	0.038	1.90
SIRHT-5728-6R2M-LF	6.2	M	10KHZ	0.045	1.80
SIRHT-5728-8R2M-LF	8.2	M	10KHZ	0.053	1.60
SIRHT-5728-100M-LF	10	M	10KHZ	0.065	1.30
SIRHT-5728-120M-LF	12	M	10KHZ	0.076	1.20
SIRHT-5728-150M-LF	15	M	10KHZ	0.103	1.10
SIRHT-5728-180M-LF	18	M	10KHZ	0.110	1.00
SIRHT-5728-220M-LF	22	M	10KHZ	0.122	0.90
SIRHT-5728-270M-LF	27	M	10KHZ	0.175	0.85
SIRHT-5728-330M-LF	33	M	10KHZ	0.189	0.75
SIRHT-5728-390M-LF	39	M	10KHZ	0.212	0.70
SIRHT-5728-470M-LF	47	M	10KHZ	0.260	0.62
SIRHT-5728-560M-LF	56	M	10KHZ	0.305	0.58
SIRHT-5728-680M-LF	68	M	10KHZ	0.355	0.52
SIRHT-5728-820M-LF	82	M	10KHZ	0.463	0.46
SIRHT-5728-101M-LF	100	M	10KHZ	0.520	0.42

* All specifications are subjected to change without prior notice.