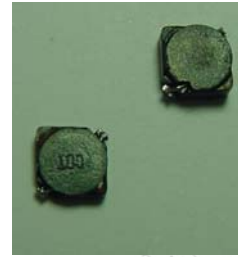


# SMD Power Inductors

## Features

- Ultra low profile.
- Magnetic shielded for low radiation.
- Low core loss for high frequency power application.
- Large terminal surface for good PCB bonding



## Applications

- Digital cameras
- CD players

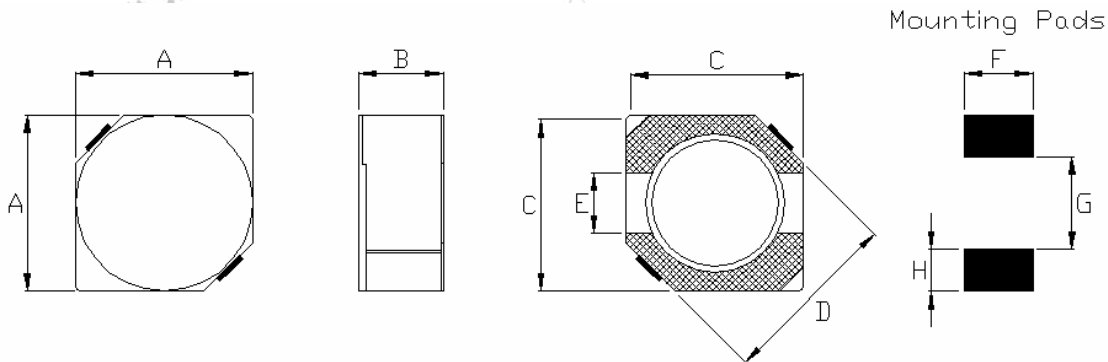
## Part Number Systems

**SIRHT - 5718 - 100 - M - LF**

(1) (2) (3) (4) (5)

(1)	Product series	(2)	Size: 5718
(3)	Inductance Value: 100 = 100uH	(4)	Inductance Tolerance:
(5)	ROHs Compliant		M = ± 20%, L = ±15%, K = ± 10%

## Shape And Dimensions



Unit: mm

Type	A	B (Max)	C	D (Max)	E Ref.	F Ref.	G Ref.	H Ref.
5718	5.7 ± 0.3	2.0	5.5	8.2	2.0	6.3	2.0	2.15

## SMD Power Inductors

SIRHT-5718-Series		ELECTRICAL CHARACTERISTICS			
Part Number	Inductance (uH)	Tolerance	L Test Frequency	Rdc (Ω) Max	Idc (A) Max
SIRHT-5718-4R1M-LF	4.1	M	10KHZ	0.057	1.95
SIRHT-5718-5R4M-LF	5.4	M	10KHZ	0.076	1.60
SIRHT-5718-6R2M-LF	6.2	M	10KHZ	0.096	1.40
SIRHT-5718-8R9M-LF	8.9	M	10KHZ	0.116	1.25
SIRHT-5718-100M-LF	10	M	10KHZ	0.124	1.20
SIRHT-5718-120M-LF	12	M	10KHZ	0.153	1.10
SIRHT-5718-150M-LF	15	M	10KHZ	0.196	0.97
SIRHT-5718-180M-LF	18	M	10KHZ	0.210	0.85
SIRHT-5718-220M-LF	22	M	10KHZ	0.290	0.80
SIRHT-5718-270M-LF	27	M	10KHZ	0.330	0.75
SIRHT-5718-330M-LF	33	M	10KHZ	0.386	0.65
SIRHT-5718-390M-LF	39	M	10KHZ	0.520	0.57
SIRHT-5718-470M-LF	47	M	10KHZ	0.595	0.54
SIRHT-5718-560M-LF	56	M	10KHZ	0.665	0.50
SIRHT-5718-680M-LF	68	M	10KHZ	0.840	0.43
SIRHT-5718-820M-LF	82	M	10KHZ	0.970	0.41
SIRHT-5718-101M-LF	100	M	10KHZ	1.200	0.36

\* All specifications are subjected to change without prior notice.