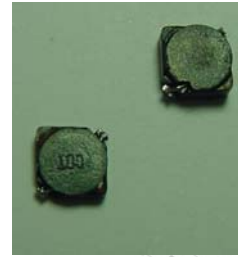


SMD Power Inductors

Features

- Ultra low profile.
- Magnetic shielded for low radiation.
- Low core loss for high frequency power application.
- Large terminal surface for good PCB bonding



Applications

- Digital cameras
- CD players

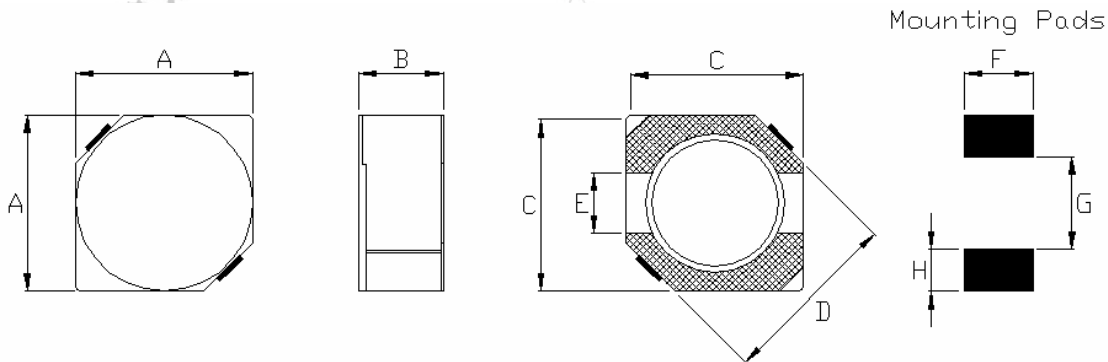
Part Number Systems

SIRHT - 4728 - 100 - M - LF

(1) (2) (3) (4) (5)

(1)	Product series	(2)	Size: 4728
(3)	Inductance Value: 100 = 100uH	(4)	Inductance Tolerance:
(5)	ROHs Compliant		M = ± 20%, L = ±15%, K = ± 10%

Shape And Dimensions



Unit: mm

Type	A	B (Max)	C	D (Max)	E Ref.	F Ref.	G Ref.	H Ref.
4728	4.7 ± 0.3	3.0	4.5	6.9	1.5	5.3	1.5	1.9

SMD Power Inductors

SIRHT-4728-Series			ELECTRICAL CHARACTERISTICS		
Part Number	Inductance (uH)	Tolerance	L Test Frequency	Rdc (Ω) Max	Idc (A) Max
SIRHT-4728-1R2M-LF	1.2	M	100KHZ	0.0236	2.56
SIRHT-4728-1R8M-LF	1.8	M	100KHZ	0.0275	2.20
SIRHT-4728-2R2M-LF	2.2	M	100KHZ	0.0313	2.04
SIRHT-4728-2R7M-LF	2.7	M	100KHZ	0.0433	1.60
SIRHT-4728-3R3M-LF	3.3	M	100KHZ	0.0492	1.57
SIRHT-4728-3R9M-LF	3.9	M	100KHZ	0.0648	1.44
SIRHT-4728-4R7M-LF	4.7	M	100KHZ	0.0720	1.32
SIRHT-4728-5R6M-LF	5.6	M	100KHZ	0.1009	1.17
SIRHT-4728-6R8M-LF	6.8	M	100KHZ	0.1089	1.12
SIRHT-4728-8R2M-LF	8.2	M	100KHZ	0.1175	1.04
SIRHT-4728-100M-LF	10	M	100KHZ	0.1283	1.00
SIRHT-4728-120M-LF	12	M	100KHZ	0.1316	0.84
SIRHT-4728-150M-LF	15	M	100KHZ	0.1490	0.76
SIRHT-4728-180M-LF	18	M	100KHZ	0.1660	0.72
SIRHT-4728-220M-LF	22	M	100KHZ	0.2350	0.70
SIRHT-4728-270M-LF	27	M	100KHZ	0.2610	0.58
SIRHT-4728-330M-LF	33	M	100KHZ	0.3780	0.56
SIRHT-4728-390M-LF	39	M	100KHZ	0.3837	0.50
SIRHT-4728-470M-LF	47	M	100KHZ	0.5870	0.48
SIRHT-4728-560M-LF	56	M	100KHZ	0.6245	0.41
SIRHT-4728-680M-LF	68	M	100KHZ	0.6990	0.35
SIRHT-4728-820M-LF	82	M	100KHZ	0.9148	0.32
SIRHT-4728-101M-LF	100	M	100KHZ	1.0200	0.29
SIRHT-4728-121M-LF	120	M	100KHZ	1.2700	0.27
SIRHT-4728-151M-LF	150	M	100KHZ	1.3500	0.24
SIRHT-4728-181M-LF	180	M	100KHZ	1.5400	0.22

* All specifications are subjected to change without prior notice.