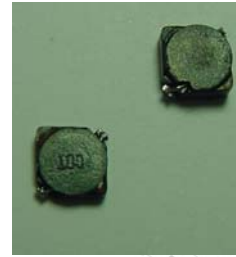


SMD Power Inductors

Features

- Ultra low profile.
- Magnetic shielded for low radiation.
- Low core loss for high frequency power application.
- Large terminal surface for good PCB bonding



Applications

- Digital cameras
- CD players

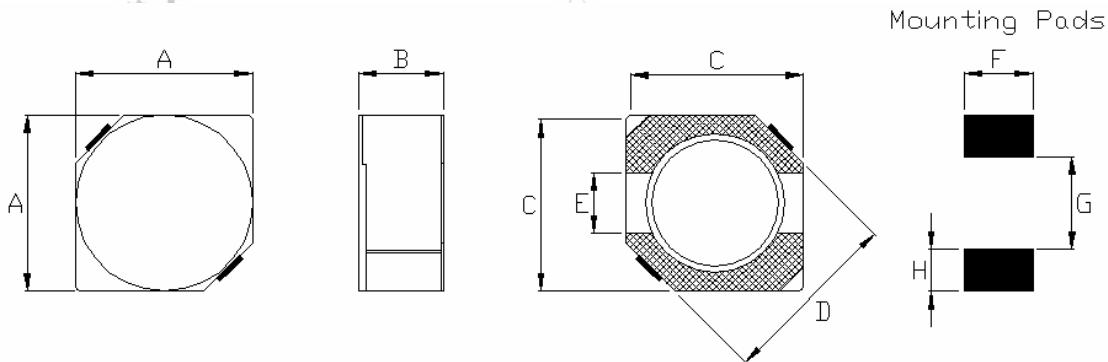
Part Number Systems

SIRHT - 4718 - 100 - M - LF

(1) (2) (3) (4) (5)

(1)	Product series	(2)	Size: 4718
(3)	Inductance Value: 100 = 100uH	(4)	Inductance Tolerance:
(5)	ROHs Compliant		M = ± 20%, L = ±15%, K = ± 10%

Shape And Dimensions



Unit: mm

Type	A	B (Max)	C	D (Max)	E Ref.	F Ref.	G Ref.	H Ref.
4718	4.7 ± 0.3	2.0	4.5	6.9	1.5	5.3	1.5	1.9

SMD Power Inductors

SIRHT-4718-Series		ELECTRICAL CHARACTERISTICS			
Part Number	Inductance (uH)	Tolerance	L Test Frequency	Rdc (Ω) Max	Idc (A) Max
SIRHT-4718-1R0M-LF	1.0	M	100KHZ	0.045	1.72
SIRHT-4718-2R2M-LF	2.2	M	100KHZ	0.075	1.32
SIRHT-4718-2R7M-LF	2.7	M	100KHZ	0.105	1.28
SIRHT-4718-3R3M-LF	3.3	M	100KHZ	0.110	1.04
SIRHT-4718-3R9M-LF	3.9	M	100KHZ	0.155	0.88
SIRHT-4718-4R7M-LF	4.7	M	100KHZ	0.162	0.84
SIRHT-4718-5R6M-LF	5.6	M	100KHZ	0.170	0.80
SIRHT-4718-6R8M-LF	6.8	M	100KHZ	0.200	0.76
SIRHT-4718-8R2M-LF	8.2	M	100KHZ	0.245	0.68
SIRHT-4718-100M-LF	10	M	100KHZ	0.200	0.61
SIRHT-4718-120M-LF	12	M	100KHZ	0.210	0.56
SIRHT-4718-150M-LF	15	M	100KHZ	0.240	0.50
SIRHT-4718-180M-LF	18	M	100KHZ	0.338	0.48
SIRHT-4718-220M-LF	22	M	100KHZ	0.397	0.41
SIRHT-4718-270M-LF	27	M	100KHZ	0.441	0.35
SIRHT-4718-330M-LF	33	M	100KHZ	0.694	0.32
SIRHT-4718-390M-LF	39	M	100KHZ	0.709	0.30

* All specifications are subjected to change without prior notice.