

SMD Power Inductors

Features

- High permissible DC current and low DC resistance in compact size.
- Flat top reliable pick and place handling.
- Routing temperature deflection, suitable for reflow soldering.
- Available in embossed tape and reel packing.



Applications

- Step-up or Step-down converters
- Digital Camcorders
- Car navigation systems, PDAs and others handheld electronic devices

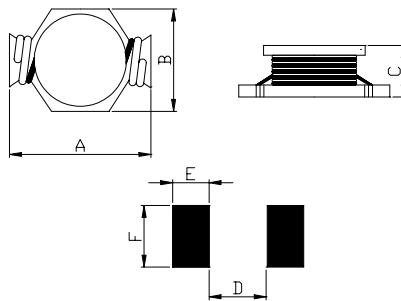
Part Number Systems

SIB - 1306 - 1R0 - M - LF

(1) (2) (3) (4) (5)

(1)	Product series	(2)	Size: 1306
(3)	Inductance Value: 1R0 = 1.0uH	(4)	Inductance Tolerance: M = ± 20%
(5)	ROHs Compliant		

Shape And Dimensions



Mounting Pads

Unit: mm

Type	A (Max)	B (Max)	C (Max)	D Ref.	E Ref.	F Ref.
1306	13.50	9.91	6.35	8.64	4.06	1.52

SMD Power Inductors

SIB-1306-Series			ELECTRICAL CHARACTERISTICS				
Part Number	Inductance (μ H)	Tolerance	L Test Frequency	SRF (MHz) Typ.	Rdc (Ω) Max	Isat ¹ (A)	Irms ² (A)
SIB-1306-R33M-LF	0.33	M	100KHZ	300	0.002	20.00	16.00
SIB-1306-R68M-LF	0.68	M	100KHZ	200	0.0056	13.00	12.00
SIB-1306-1R0M-LF	1.0	M	100KHZ	100	0.006	11.00	10.00
SIB-1306-1R5M-LF	1.5	M	100KHZ	90	0.008	9.00	9.00
SIB-1306-2R2M-LF	2.2	M	100KHZ	90	0.011	7.80	7.40
SIB-1306-2R7M-LF	2.7	M	100KHZ	65	0.012	7.00	6.60
SIB-1306-3R3M-LF	3.3	M	100KHZ	65	0.014	6.40	5.90
SIB-1306-4R7M-LF	4.7	M	100KHZ	45	0.018	5.40	4.80
SIB-1306-5R6M-LF	5.6	M	100KHZ	40	0.022	5.00	4.60
SIB-1306-6R8M-LF	6.8	M	100KHZ	36	0.027	4.60	4.40
SIB-1306-8R2M-LF	8.2	M	100KHZ	28	0.032	4.00	4.00
SIB-1306-100M-LF	10	M	100KHZ	25	0.038	3.80	3.90

* All specifications are subjected to change without prior notice.