

# SMD Power Inductors

## Features

- High permissible DC current and low DC resistance in compact size.
- Flat top reliable pick and place handling.
- Routing temperature deflection, suitable for reflow soldering.
- Available in embossed tape and reel packing.



## Applications

- Step-up or Step-down converters
- Digital Camcorders
- Car navigation systems, PDAs and others handheld electronic devices

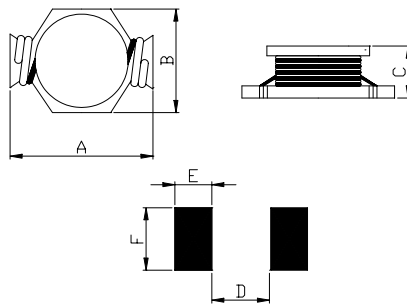
## Part Number Systems

**SIB - 0905 - 1R0 - M - LF**

(1) (2) (3) (4) (5)

(1)	Product series	(2)	Size: 0905
(3)	Inductance Value: 1R0 = 1.0uH	(4)	Inductance Tolerance: M = ± 20%, L = ±15%, K = ± 10%
(5)	ROHs Compliant		

## Shape And Dimensions



Mounting Pads

Unit: mm

Type	A (Max)	B (Max)	C (Max)	D Ref.	E Ref.	F Ref.
0905	8.89	6.10	5.00	3.75	3.49	5.72

## SMD Power Inductors

SIB-0905-Series		ELECTRICAL CHARACTERISTICS					
Part Number	Inductance ( $\mu$ H)	Tolerance	L Test Frequency	SRF (MHz) Typ.	Rdc ( $\Omega$ ) Max	Isat <sup>1</sup> (A)	I <sub>rms</sub> <sup>2</sup> (A)
SIB-0905-R56M-LF	0.56	M	100KHz	200	0.01	7.70	6.00
SIB-0905-1R0M-LF	1.0	M	100KHz	100	0.02	6.30	5.00
SIB-0905-1R2M-LF	1.2	M	100KHz	140	0.017	5.30	4.40
SIB-0905-2R2M-LF	2.2	M	100KHz	100	0.035	3.50	3.10
SIB-0905-4R7M-LF	4.7	M	100KHz	50	0.054	2.60	2.20
SIB-0905-100M-LF	10	M	100KHz	40	0.111	1.90	1.50
SIB-0905-150M-LF	15	M	100KHz	30	0.170	1.50	1.20
SIB-0905-220M-LF	22	M	100KHz	25	0.250	1.20	1.00
SIB-0905-330M-LF	33	M	100KHz	20	0.370	0.99	0.82
SIB-0905-470M-LF	47	M	100KHz	15	0.470	0.87	0.72

\* All specifications are subjected to change without prior notice.