

Multilayer Chip Lowpass Filters

Features

- Monolithic structure replacing two inductors and three capacitors



Applications

- 0.8-6 GHz wireless communication systems, including DECT/PACS/PHS/GSM/DCS/PCS phones, WLAN card Bluetooth modules, etc.

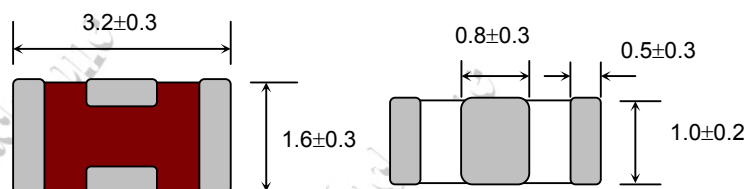
Part Number Systems

MLF - 3216 - B - 2R4 - EAA - LF

(1) (2) (3) (4) (5) (6)

(1)	Product series	(2)	Dimensions (L x W): 3.2 x 1.6 mm
(3)	Material code	(4)	Frequency Range: 2R4 = 2400MHz
(5)	Specification code	(6)	ROHs Compliant

Shape And Dimensions



Unit: mm

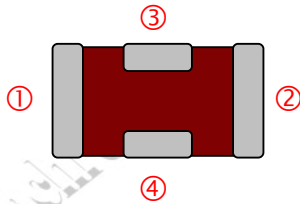
Type	L	W	a	b	c
3216	3.2 ± 0.3	1.6 ± 0.3	0.8 ± 0.3	0.5 ± 0.3	1.0 ± 0.2

MLF-3216-Series		ELECTRICAL CHARACTERISTICS				
Part Number	Frequency Range (MHz)	Insertion Loss @ BW (dB)	Att. @ 2 x fo (dB)	Att. @ 3 x fo (dB)	VSWR @ BW	Power Capacity
MLF-3216-B-R80-JAA-LF	880 ~ 915	0.6 Max	30 Min	18 Min	1.8 Max	3W Max
MLF-3216-B-1R7-EAA-LF	1710 ~ 1785	0.6 Max	30 Min	18 Min	1.8 Max	3W Max
MLF-3216-B-2R4-EAA-LF	2400 ~ 2483	0.6 Max	30 Min	18 Min	1.8 Max	3W Max

*All specifications are subjected to change without prior notice

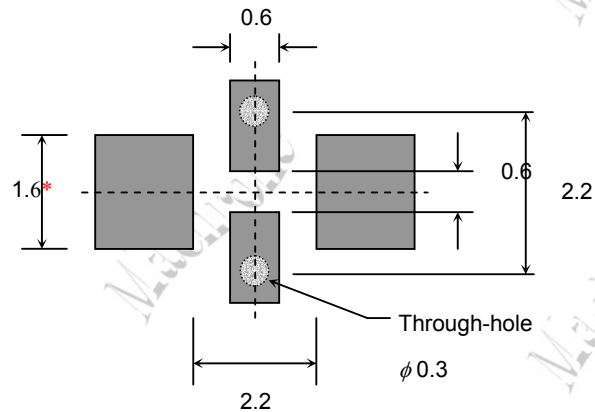
Multilayer Chip Lowpass Filters

Terminal Configuration



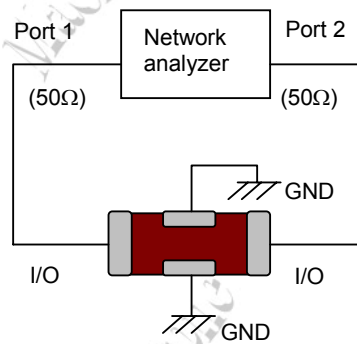
No.	Terminal Name	No.	Terminal Name
1	In/Out	3	GND
2	In/Out	4	GND

Recommended PC Board Pattern (Unit: mm)



* Line width should be designed to match 50 Ω characteristic impedance, depending on PCB material and thickness.

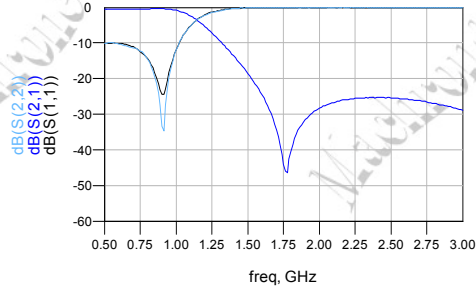
Measuring Diagram



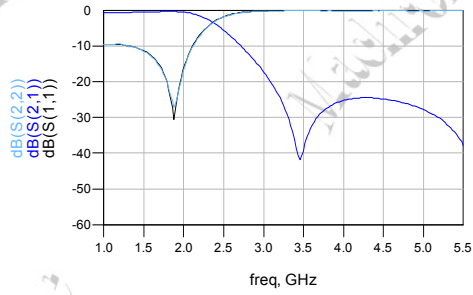
Multilayer Chip Lowpass Filters

Typical Electrical Characteristics (Temperature = 25°C)

❖ MLF-3216-B-R80-JAA-LF



❖ MLF-3216-B-1R7-EAA-LF



❖ MLF-3216-B-2R4-EAA-LF

