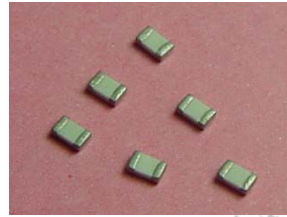


# Multilayer High Frequency Ceramic Inductors

## Features

- Monolithic structure ensuring high performance and reliability.
- High frequency application up to 6 GHz.
- Excellent Q and SRF characteristic



## Applications

- RF modules for telecommunication systems including
- GSM, PCS, DECT, WLAN and Bluetooth, etc.

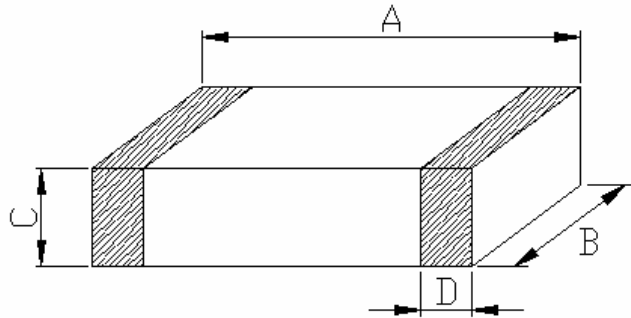
## Part Number Systems

**MHI - 201209 - 1N5 - K - LF**

(1)      (2)      (3) (4) (5)

(1)	Product series	(2)	Size
(3)	Inductance Value: 1N5 = 1.5nH	(4)	Inductance Tolerance: S = ± 0.3, J = ± 5%, K = ± 10%
(5)	ROHs Compliant		

## Shape And Dimensions



Unit: mm

Type	A	B	C	D
201209	2.0 ± 0.10	1.2 ± 0.20	0.85 ± 0.20	0.45 ± 0.20

## Multilayer High Frequency Ceramic Inductors

MHI-201209 (0805)-Series				ELECTRICAL CHARACTERISTICS			
Part Number	Inductance (nH)	Tolerance	Q	L/Q	SRF (MHz)	Rdc ( $\Omega$ )	Idc (mA)
			Min	Freq.(MHz)	Min	Max	Max
MHI-201209-1N5S-LF	1.5	S	10	100	> 6000	0.10	300
MHI-201209-1N8S-LF	1.8	S	10	100	> 6000	0.10	300
MHI-201209-2N2S-LF	2.2	S	10	100	> 6000	0.10	300
MHI-201209-2N7S-LF	2.7	S	12	100	> 6000	0.12	300
MHI-201209-3N3K-LF	3.3	S, K	12	100	> 6000	0.13	300
MHI-201209-3N9K-LF	3.9	S, K	12	100	5600	0.15	300
MHI-201209-4N7K-LF	4.7	S, K	12	100	5500	0.20	300
MHI-201209-5N6K-LF	5.6	S, K	12	100	4700	0.23	300
MHI-201209-6N8K-LF	6.8	J, K	15	100	3900	0.25	300
MHI-201209-8N2K-LF	8.2	J, K	15	100	3200	0.28	300
MHI-201209-10NK-LF	10	J, K	15	100	3100	0.30	300
MHI-201209-12NK-LF	12	J, K	15	100	2800	0.35	300
MHI-201209-15NK-LF	15	J, K	15	100	2400	0.40	300
MHI-201209-18NK-LF	18	J, K	15	100	2100	0.45	300
MHI-201209-22NK-LF	22	J, K	15	100	2000	0.50	300
MHI-201209-27NK-LF	27	J, K	15	100	1800	0.55	300
MHI-201209-33NK-LF	33	J, K	15	100	1700	0.60	300
MHI-201209-39NK-LF	39	J, K	18	100	1400	0.65	300
MHI-201209-47NK-LF	47	J, K	18	100	1200	0.70	300
MHI-201209-56NK-LF	56	J, K	18	100	1000	0.75	300
MHI-201209-68NK-LF	68	J, K	18	100	900	0.80	300
MHI-201209-82NK-LF	82	J, K	18	100	900	0.85	300
MHI-201209-R10K-LF	100	J, K	18	100	700	0.90	300
MHI-201209-R12K-LF	120	J, K	13	50	600	0.95	300
MHI-201209-R15K-LF	150	J, K	13	50	500	1.00	300
MHI-201209-R18K-LF	180	J, K	13	50	430	1.10	300
MHI-201209-R22K-LF	220	J, K	12	50	400	1.20	300
MHI-201209-R27K-LF	270	J, K	12	50	340	1.30	300
MHI-201209-R33K-LF	330	J, K	12	50	320	1.50	300
MHI-201209-R39K-LF	390	J, K	10	50	270	1.60	300
MHI-201209-R47K-LF	470	J, K	10	50	250	1.80	300

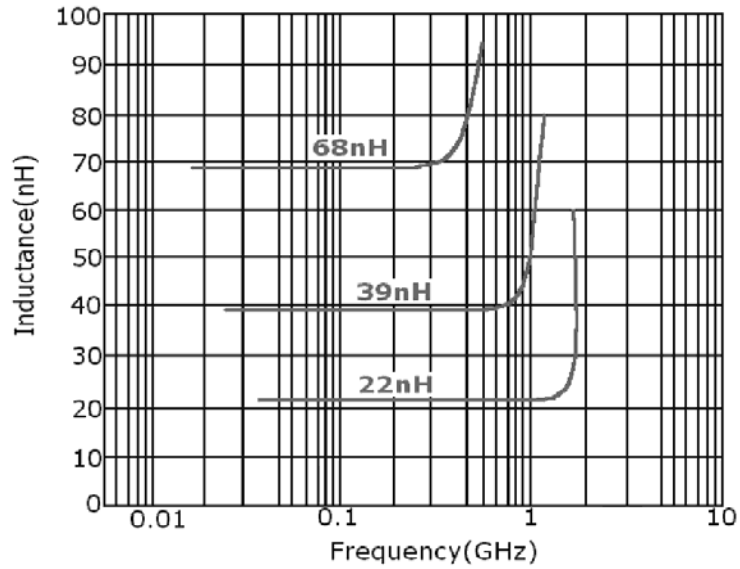
\* All specifications are subjected to change without prior notice.

# Multilayer High Frequency Ceramic Inductors

## Typical Electrical Characteristics

❖ MHI-201209 (0805)-Series

Inductance Vs. Frequency Characteristics



Q Vs. Frequency Characteristics

