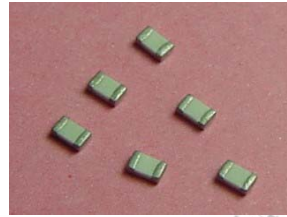


# Multilayer High Frequency Ceramic Inductors

## Features

- Monolithic structure ensuring high performance and reliability.
- High frequency application up to 6 GHz.
- Excellent Q and SRF characteristic



## Applications

- RF modules for telecommunication systems including
- GSM, PCS, DECT, WLAN and Bluetooth, etc.

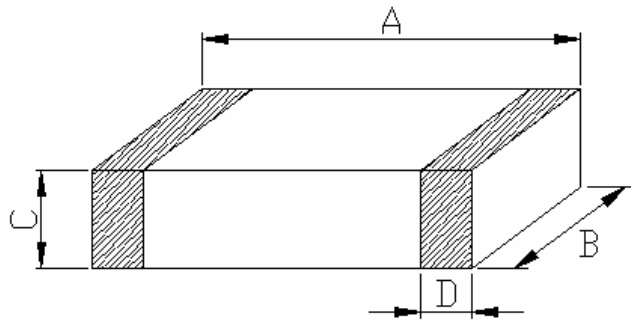
## Part Number Systems

**MHI - 160808 – 1N5 – K - LF**

(1) (2) (3) (4) (5)

(1)	Product series	(2)	Size
(3)	Inductance Value: 1N5 = 1.5nH	(4)	Inductance Tolerance: S = ± 0.3, J = ± 5%, K = ± 10%
(5)	ROHs Compliant		

## Shape And Dimensions



Unit: mm

Type	A	B	C	D
160808	1.6 ± 0.15	0.8 ± 0.15	0.8 ± 0.15	0.30 ± 0.20

# Multilayer High Frequency Ceramic Inductors

MHI-160808 (0603)-Series				ELECTRICAL CHARACTERISTICS			
Part Number	Inductance (nH)	Tolerance	Q	L/Q	SRF (MHz)	Rdc ( $\Omega$ )	Idc (mA)
			Min	Freq.(MHz)	Min	Max	Max
MHI-160808-1N0S-LF	1.0	S	8	100	> 17000	0.10	300
MHI-160808-1N2S-LF	1.2	S	8	100	> 17000	0.10	300
MHI-160808-1N5S-LF	1.5	S	8	100	> 17000	0.10	300
MHI-160808-1N8S-LF	1.8	S	8	100	13000	0.15	300
MHI-160808-2N2S-LF	2.2	S	8	100	12000	0.15	300
MHI-160808-2N7S-LF	2.7	S	8	100	8600	0.20	300
MHI-160808-3N3K-LF	3.3	S, K	8	100	6500	0.25	300
MHI-160808-3N9K-LF	3.9	S, K	8	100	6300	0.25	300
MHI-160808-4N7K-LF	4.7	S, K	8	100	5400	0.30	300
MHI-160808-5N6K-LF	5.6	S, K	8	100	4600	0.30	300
MHI-160808-6N8K-LF	6.8	J, K	8	100	4500	0.35	300
MHI-160808-8N2K-LF	8.2	J, K	8	100	3800	0.40	300
MHI-160808-10NK-LF	10	J, K	8	100	3700	0.45	300
MHI-160808-12NK-LF	12	J, K	8	100	3200	0.50	300
MHI-160808-15NK-LF	15	J, K	8	100	2900	0.55	300
MHI-160808-18NK-LF	18	J, K	10	100	2100	0.60	300
MHI-160808-22NK-LF	22	J, K	10	100	2100	0.65	300
MHI-160808-27NK-LF	27	J, K	10	100	2000	0.70	300
MHI-160808-33NK-LF	33	J, K	10	100	1600	0.80	300
MHI-160808-39NK-LF	39	J, K	10	100	1500	0.85	300
MHI-160808-47NK-LF	47	J, K	12	100	1200	1.00	300
MHI-160808-56NK-LF	56	J, K	12	100	1100	1.10	300
MHI-160808-68NK-LF	68	J, K	12	100	1000	1.20	300
MHI-160808-82NK-LF	82	J, K	12	100	850	1.80	300
MHI-160808-R10K-LF	100	J, K	12	100	750	2.00	300
MHI-160808-R12K-LF	120	J, K	8	50	700	2.30	300
MHI-160808-R15K-LF	150	J, K	8	50	650	2.40	300
MHI-160808-R18K-LF	180	J, K	8	50	550	2.70	300
MHI-160808-R22K-LF	220	J, K	8	50	450	2.80	300

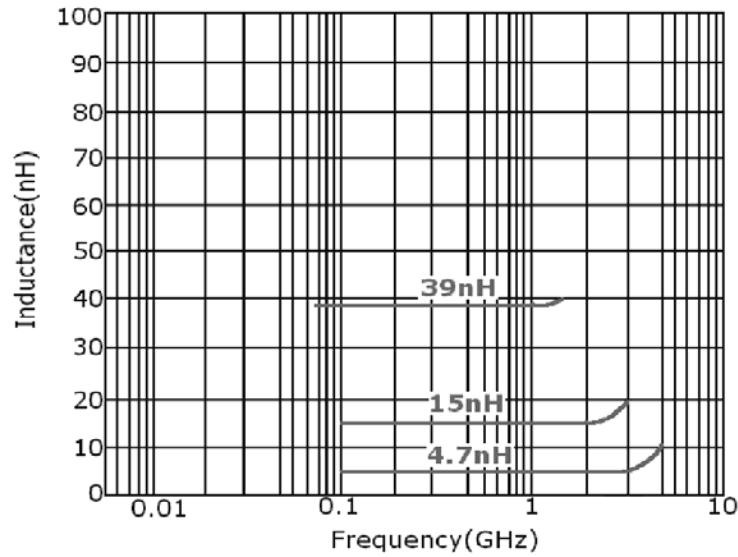
\* All specifications are subjected to change without prior notice.

# Multilayer High Frequency Ceramic Inductors

## Typical Electrical Characteristics

❖ MHI-160808 (0603)-Series

Inductance Vs. Frequency Characteristics



Q Vs. Frequency Characteristics

