

Multilayer Chip Bandpass Filters

Features

- Ultra small SMD type with low loss at pass-band and high attenuation at stop-band



Applications

- 2.4 GHz WLAN, Home RF, Bluetooth Modules, etc

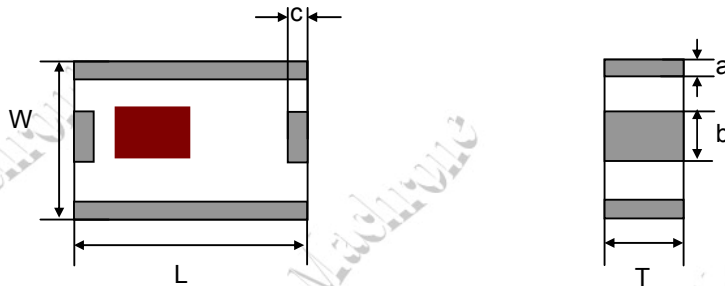
Part Number Systems

MBF - 3225 - B - 2R4 - CAA - LF

(1) (2) (3) (4) (5) (6)

(1)	Product series	(2)	Dimensions (L x W): 3.2 x 2.5 mm
(3)	Material code	(4)	Frequency Range: 2R4 = 2400MHz
(5)	Specification Code	(6)	ROHs Compliant

Shape And Dimensions



Unit: mm

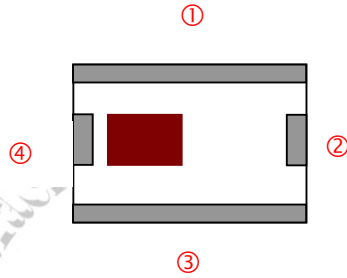
Type	L	W	T	a	b	c
3225	3.2 ± 0.2	2.5 ± 0.2	1.5 ± 0.1	0.4 ± 0.2	0.6 ± 0.2	0.3 ± 0.15

MBF-3225-Series				ELECTRICAL CHARACTERISTICS	
Part Number	Frequency Range (MHz)	Insertion Loss @ BW (dB)	VSWR @ BW	Frequency	Attenuation (dB)
MBF-3225-B-2R4-CAA-LF	2400 ~ 2500	2.5 Max.	2.0 Max.	1200~1800MHz	40 Min.
				2100MHz	30 Min.
				2200MHz	12 Min.
				4800 ~ 5000MHz	35 Min.
				7200 ~ 7500MHz	25Min.
				9600 ~ 10000MHz	20 Min.

* All specifications are subjected to change without prior notice.

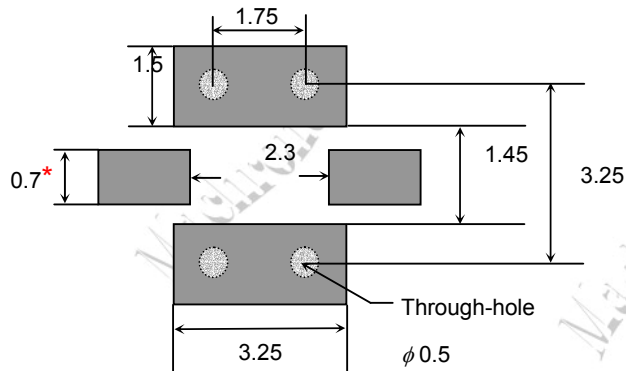
Multilayer Chip Bandpass Filters

Terminal Configuration



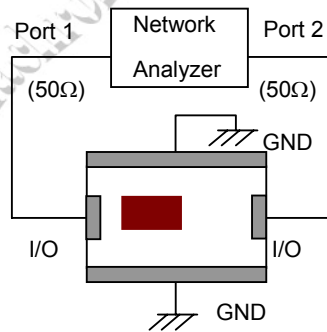
No.	Terminal Name	No.	Terminal Name
1	GND	3	GND
2	Out	4	In

Recommended PC Board Pattern (Unit: mm)



* Line width should be designed to match 50 Ω characteristic impedance, depending on PCB material and thickness

Measuring Diagram



Typical Electrical Characteristics (Temperature = 25°C)

❖ MBF-3225-B-2R4-CAA-LF

