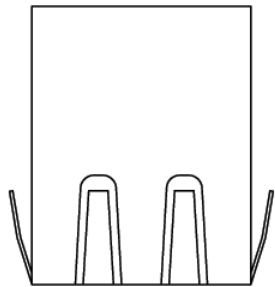


V1.1 NOTE: THIS DEVICE IS ROHS COMPLIANT.

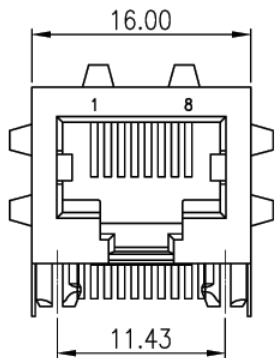
REVISIONS							
SYM	DESCRIPTION	DATE	APPROVED	SYM	DESCRIPTION	DATE	APPROVED
△				△			
△				△			

**CUSTOMER DRAWING FOR REFERENCE ONLY, SAMPLES APPROVAL ARE REQUIRED!!

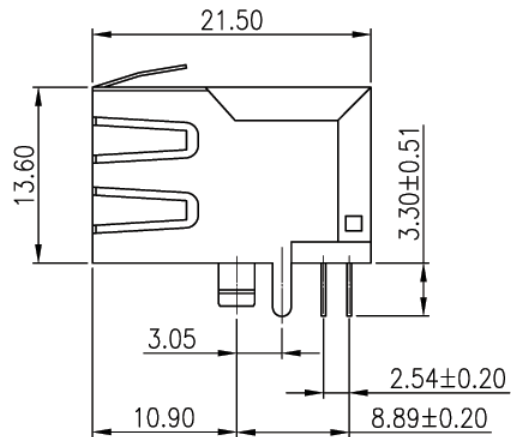
201



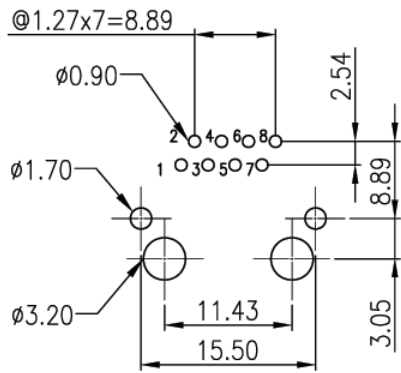
FRONT VIEW



FRONT VIEW



SIDE VIEW



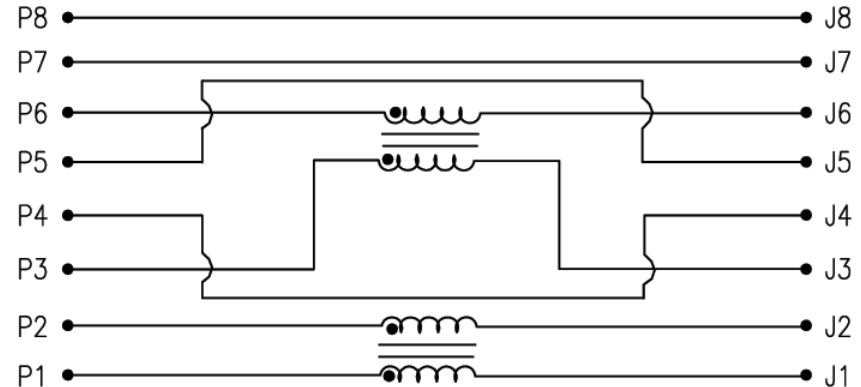
PC BOARD LAYOUT COMPONENT SIDE SHOWN

ELECTRICAL SPECIFICATIONS@25°C:
 TURN RATIO: 1: 1±2%
 INDUCTANCE: 65uH TYP@10KHz, 0.1V
 DCR:

- P6-J6:0.5Ω MAX
- P3-J3:0.5Ω MAX
- P2-J2:0.5Ω MAX
- P1-J1:0.5Ω MAX

COMMON MODE:
 1MHZ:-8dB TYP,-5dB MIN.
 5MHZ:-17dB TYP,-15dB MIN.
 20MHZ:-23dB TYP,-15dB MIN.
 70MHZ:-25dB TYP,-20dB MIN.
 200MHZ:-22dB TYP,-17dB MIN.
 500MHZ:-11dB TYP,-6dB MIN.
 OPERATING TEMPERATURE: -40°C TO +85°C

SCHEMATICS:



ORDER INFORMATION:

MJKf7565-Pa88GXsb
 MJK: MODULAR JACK
 f: TRANSFORMER
 7565: SERIES NO.
 Pa: PCB TYPE, RIGHT ANGLE
 88: NO. OF CONTACT, 8P8C
 GX: CONTACT PLATING OPTION
 Gf: GOLD FLASH
 Gft: GOLD FLASH ON CONTACT, TIN PLATED ON SOLDER TAIL
 G15t: 15u" GOLD ON CONTACT, TIN PLATED ON SOLDER TAIL
 G30t: 30u" GOLD ON CONTACT, TIN PLATED ON SOLDER TAIL
 G50t: 50u" GOLD ON CONTACT, TIN PLATED ON SOLDER TAIL
 Sb: SHIELDED WITH PANEL GROUNDING TAB

TOLERANCES UNLESS OTHERWISE SPECIFIED ±0.25			SIGNATURES	DATE	MODEL
DRAWN	AARON			24/JAN/06'	TITLE
CHECKED	CONNIE			24/JAN/05'	MODULAR JACK
APPROVALS					NO.
					MJKf7565-Pa88G_Sb

Machrone