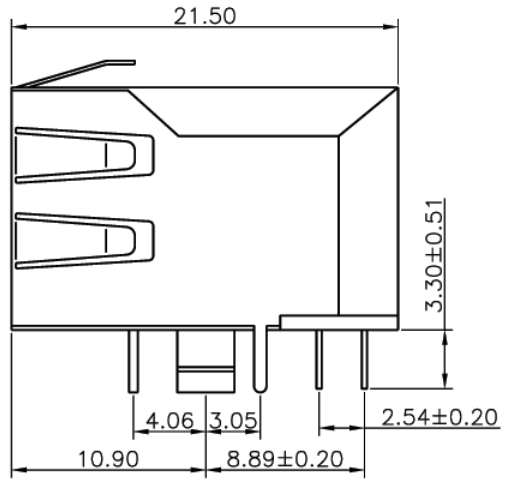
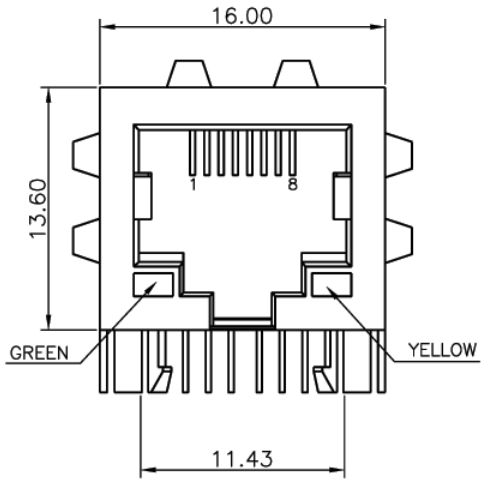


V1.1 NOTE: THIS DEVICE IS ROHS COMPLIANT.

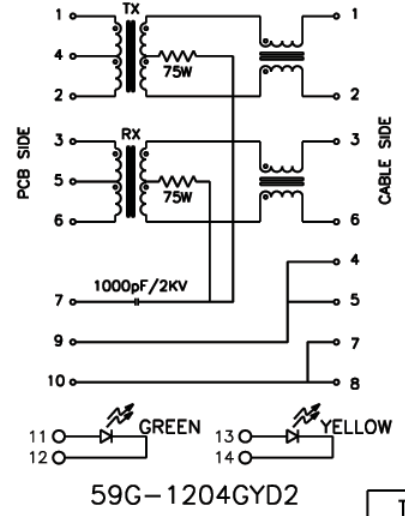
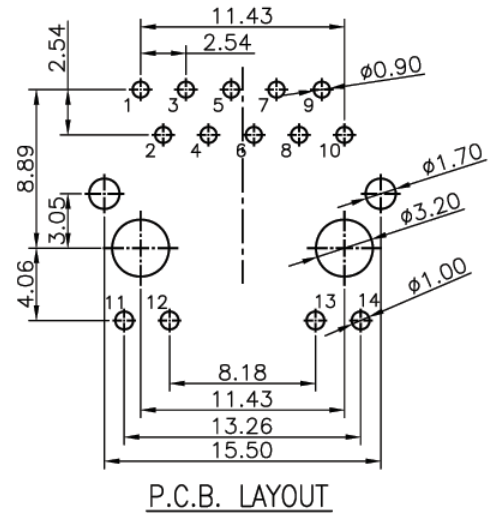
REVISIONS							
SYM	DESCRIPTION	DATE	APPROVED	SYM	DESCRIPTION	DATE	APPROVED
△	NOTE ROHS STANDARD	23/JAN/06'	AARON	△			
**CUSTOMER DRAWING FOR REFERENCE ONLY, SAMPLES APPROVAL ARE REQUIRED!!							201



ELECTRICAL CHARACTERISTICS :

- INDUCTANCE (100KHz / 0.1V@8mA) : 350uH MIN
- HI-POT : 1500Vrms / 0.5mA
- TURN RATIO (TX&RX) : 1CT:1CT ±3%
- INSERTION LOSS (0.1-100MHz) : -1.1dB MAX
- RETURN LOSS (0.5-30MHz/40MHz/50MHz/60-80MHz) :
-18dB/-15.5dB/-13.6dB/-12dB MIN
- CROSSTALK(0.1-100MHz) : -40dB TYP.
- CMR(0.1-30MHz/30-60MHz/60-100MHz) : -50dB/-40dB/-35dB TYP
- DCR (P1-P2, P3-P6) : 1.0 OHM MAX
- EXTENDED OPERATING TEMPERATURE RANGE: -40°C+85°C
- REMOTE POWER FEED (UNUSED PAIRS) UP TO 3ADC CURRENT

SCHEMATICS



59G-1204GYD2

TOLERANCES UNLESS OTHERWISE SPECIFIED ±0.25			SIGNATURES	DATE	MODEL
SYMBOL	UNIT	SCALE	DRAWN	Frederick	22/JUL/05'
			CHECKED	Sam	22/JUL/05'
			APPROVALS		
△	mm	4/1			TITLE MODULAR JACK
					NO. MJKf6568-Pa081GXSb-L3

Machrone