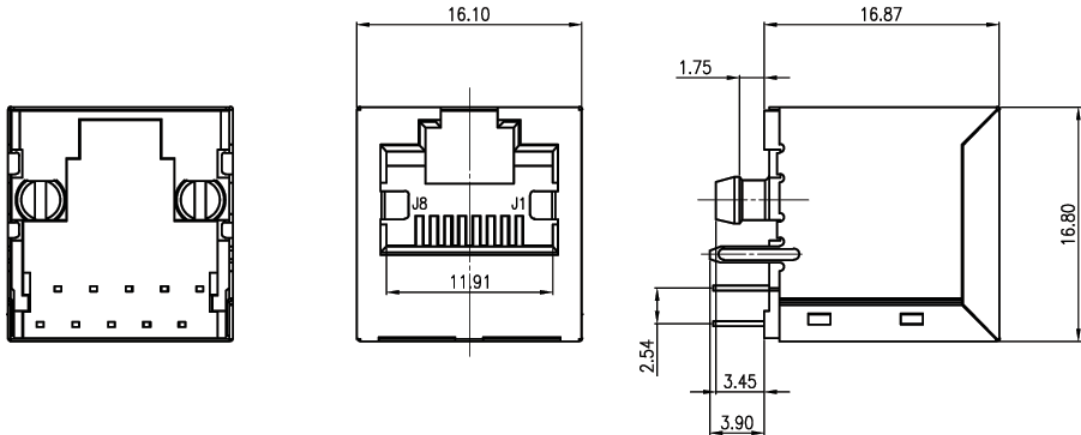


V1.1 NOTE: THIS DEVICE IS ROHS COMPLIANT.

REVISIONS							
SYM	DESCRIPTION	DATE	APPROVED	SYM	DESCRIPTION	DATE	APPROVED
△				△			
△				△			

**\*\*CUSTOMER DRAWING FOR REFERENCE ONLY, SAMPLES APPROVAL ARE REQUIRED!!**

222



**MATERIAL:**  
 HOUSING: THERMOPLASTIC UL94V-0  
 CONTACTS/SHIELD: COPPER ALLOY  
 SHIELD PLATING: NICKEL

**ELECTRICAL SPECIFICATIONS:**

TURN RATIO: (P1~P2):(J1~J2) = 1:1±3%,  
 (P3~P6):(J3~J6) = 1:1±3%

INDUCTANCE: P1~P2: 350uH MN @ 0.1V, 100KHZ, 8mA DC BIAS  
 P3~P6: 350uH MN @ 0.1V, 100KHZ, 8mA DC BIAS

LEAKAGE INDUCTANCE: P1~P2(WITH J1 AND J2): 0.3uH MIN @ 1V MHZ  
 P3~P6(WITH J3 AND J6): 0.3uH MIN @ 1V MHZ

INTERWINDING: CAPACITANCE: (P1~P2):(J1~J2) :35pF MAX @1MHZ  
 (P3~P6):(J3~J6) :35pF MAX @1MHZ

DC RESISTANCE: (J1~J2):(J3~J6): 1.2 OHMS MAX

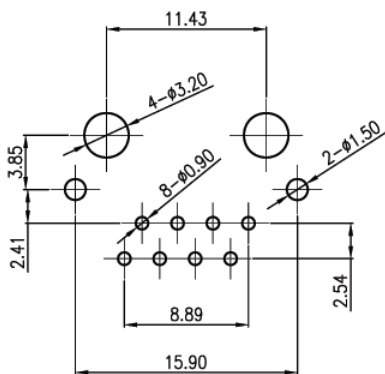
RETURN LOSS: 1MHZ TO 30MHZ :-18dB MIN  
 30MHZ TO 80MHZ :-12dB MIN

DIELECTRIC WITHSTAND: (P1~P2):(J1~J2) :1500 VAC  
 (P1~P2):(J1~J2) :1500 VAC

INSERTION LOSS: RS=RL= 100OHM :-1.1dB MIN  
 100KHZ TO 80KHZ :-1.1dB MIN

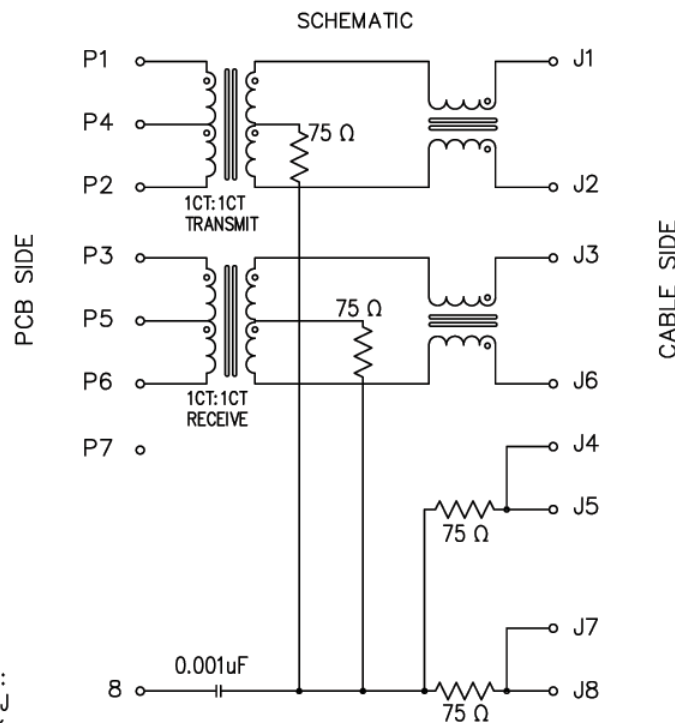
RISE TIME: RS= 100 OHMS AND RL=100OHMS  
 OUTPUT VOLTAGE= 1V PEAK :3.0nS MAX  
 PULSE WIDTH= 112nS :3.0nS MAX

CROSS TALK: 1MHZ TO 100MHZ :40dB TYP  
 COMMON TO COMMON MODE ATTENUATION: 30MHZ TO 100MHZ :35dB TYP



PCB LAYOUT

**ORDER INFORMATION:**  
 MJKf6471-P88GXS-J  
 MJK: MODULAR JACK  
 f: TRANSFORMER  
 6471: SERIES NO.  
 P: PCB TYPE, STRAIGHT TYPE  
 88: NO. OF CONTACT, 8P8C  
 GX: CONTACT PLATING OPTION  
 Gf: GOLD FLASH  
 Gft: GOLD FLASH ON CONTACT, TIN PLATED ON SOLDER TAIL  
 G15t: 15u" GOLD ON CONTACT, TIN PLATED ON SOLDER TAIL  
 G30t: 30u" GOLD ON CONTACT, TIN PLATED ON SOLDER TAIL  
 G50t: 50u" GOLD ON CONTACT, TIN PLATED ON SOLDER TAIL  
 S: SHIELDED WITHOUT PANEL GROUNDING TAB  
 J: DIM J= 3.85 mm, PLASTIC PEG IN THE FRONT



TOLERANCES UNLESS OTHERWISE SPECIFIED ±0.25			SIGNATURES	DATE	MODEL
SYMBOL △	UNIT mm	SCALE 2/1	DRAWN AARON	20/JUN/06'	TITLE MODULAR JACK
			CHECKED WENDY	20/JUN/05'	NO.
			APPROVALS		MJKf6471-P88G_S-J

**Machrone**