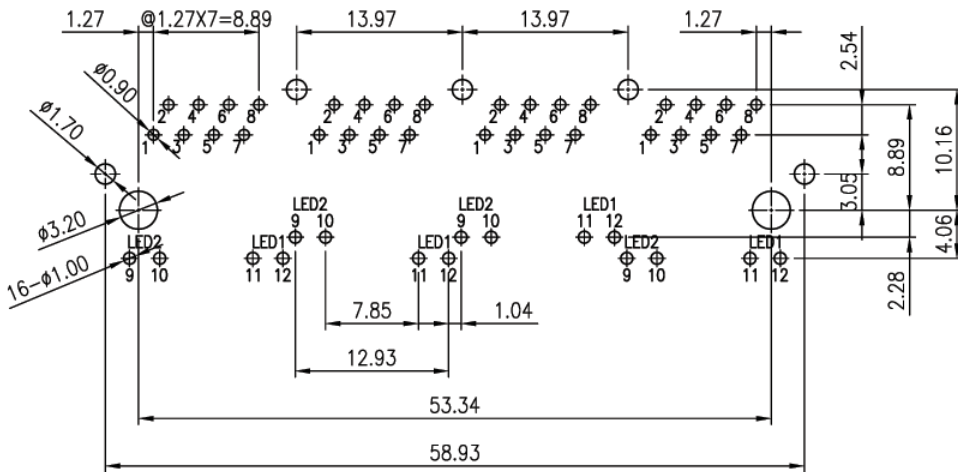
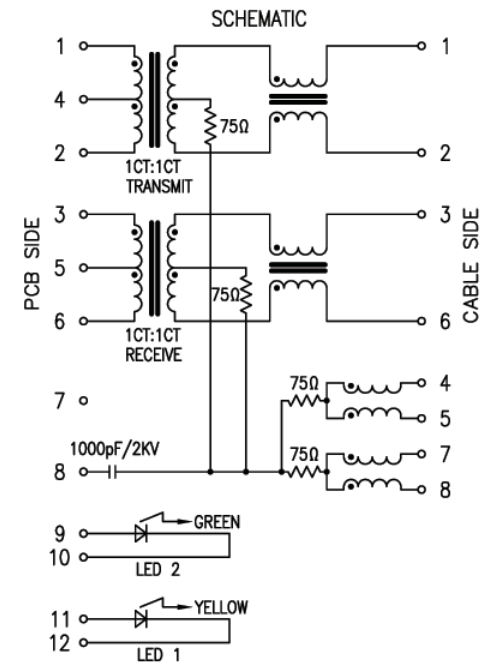
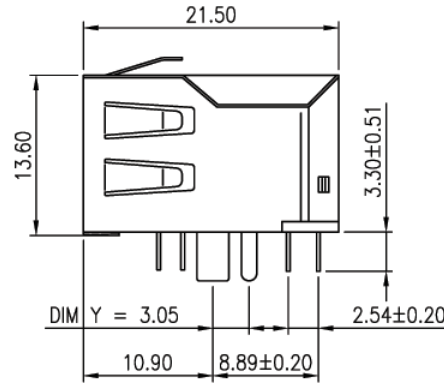
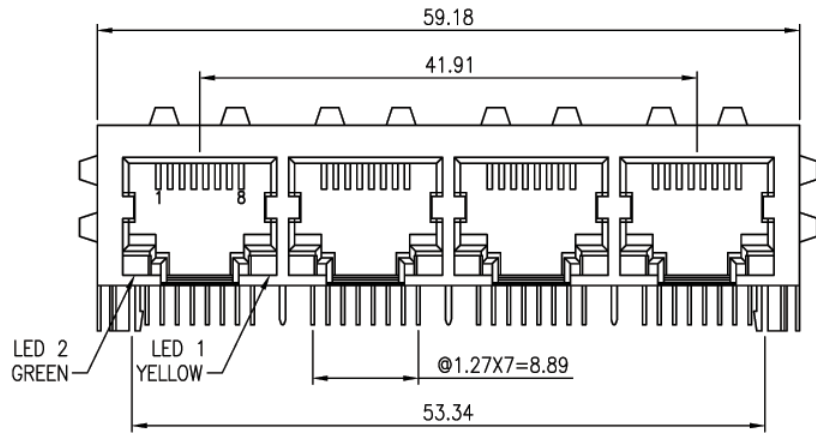


V1.1 NOTE: THIS DEVICE IS ROHS COMPLIANT.

| REVISIONS | | | | | | | |
|--|-------------|------|----------|-----|-------------|------|----------|
| SYM | DESCRIPTION | DATE | APPROVED | SYM | DESCRIPTION | DATE | APPROVED |
| △ | | | | △ | | | |
| △ | | | | △ | | | |
| **CUSTOMER DRAWING FOR REFERENCE ONLY, SAMPLES APPROVAL ARE REQUIRED!! | | | | | | | 201 |



RECOMMENDED P.C.B. LAYOUT

ORDER INFORMATION:
 MJKf6414-Pa88GXsb-4D-L3
 MJK: MODULAR JACK
 f: TRANSFORMER
 6414: SERIES NO.
 Pa: PCB TYPE, RIGHT ANGLE
 88: NO. OF CONTACT, 8P8C
 GX: CONTACT PLATING OPTION
 Gf: GOLD FLASH
 Gft: GOLD FLASH ON CONTACT, TIN PLATED ON SOLDER TAIL
 G15t: 15u" GOLD ON CONTACT, TIN PLATED ON SOLDER TAIL
 G30t: 30u" GOLD ON CONTACT, TIN PLATED ON SOLDER TAIL
 G50t: 50u" GOLD ON CONTACT, TIN PLATED ON SOLDER TAIL
 Sb: SHIELDED WITH PANEL GROUNDING TAB
 4: 4 PORTS
 D: DIM Y = 3.05mm, PLASTIC PEG IN THE FRONT
 L3: LED 1: YELLOW, LED 2: GREEN

ELECTRICAL SPECIFICATIONS@25°C:

TURN RATIO(±2%): TX=1CT:1CT, RX=1CT:1CT
 INDUCTANCE(100kHz/0.1V@8mA): 350uH MIN
 INSERTION LOSS(dB MAX): -1.0dB(1-100MHz)
 RETURN LOSS(dB MIN): -18dB(1-30MHz), -16dB(30-60MHz), -12dB(60-80MHz)
 CROSS TALK(dB TYP): -30dB(1-100MHz)
 CMR(dB MIN): -30dB(1-100MHz)
 HI-POT: 1500Vrms
 OPERATING TEMPERATURE: 0°C ~ +70°C

| TOLERANCES UNLESS OTHERWISE SPECIFIED ±0.25 | | | SIGNATURES | DATE | MODEL |
|---|------|-------|------------|-------|---|
| SYMBOL | UNIT | SCALE | DRAWN | KEN | 14/AUG/06' |
| | | | CHECKED | WENDY | 14/AUG/06' |
| | | | APPROVALS | | |
| △ | mm | 2/1 | | | TITLE MODULAR JACK NO. MJKf6414-Pa88G_Sb-4D-L3 |

Machrone