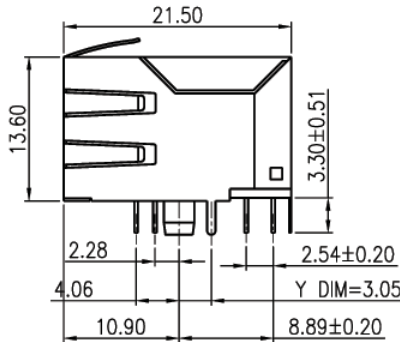
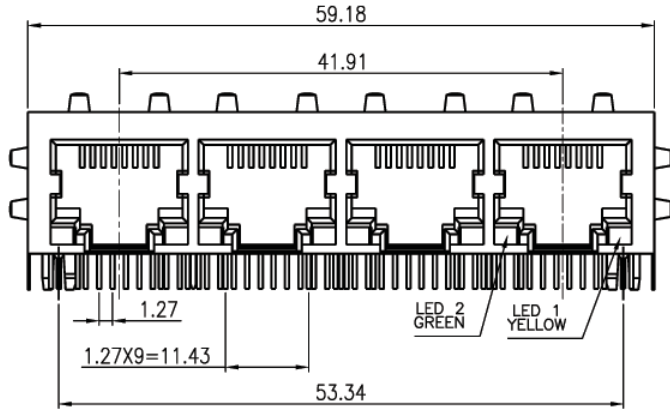


V1.1 NOTE: THIS DEVICE IS ROHS COMPLIANT.

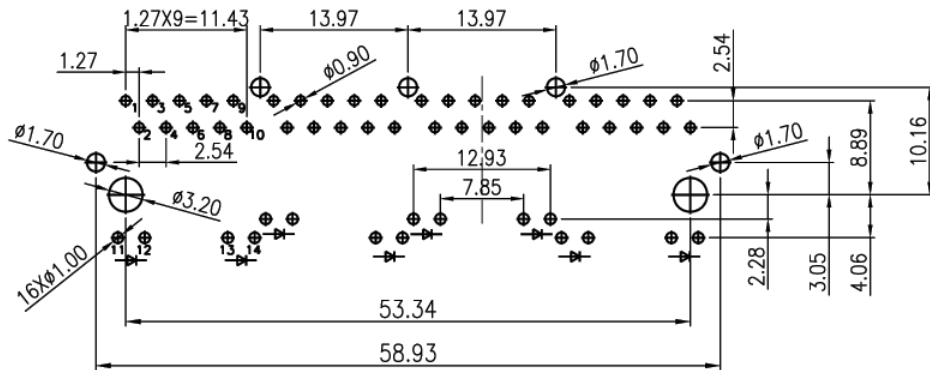
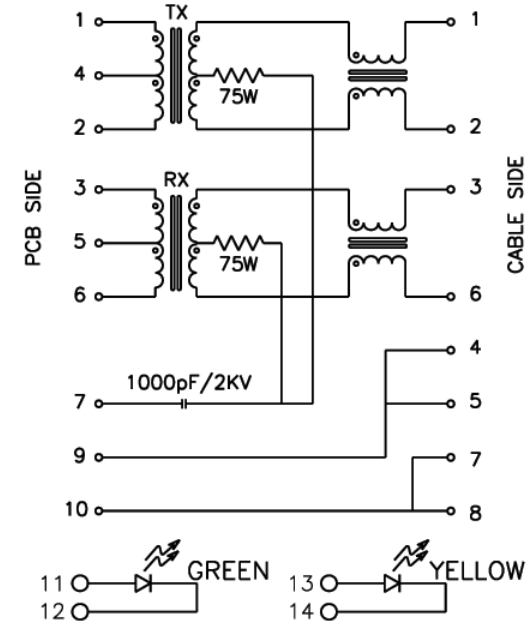
REVISIONS							
SYM	DESCRIPTION	DATE	APPROVED	SYM	DESCRIPTION	DATE	APPROVED
△				△			
△				△			

****CUSTOMER DRAWING FOR REFERENCE ONLY, SAMPLES APPROVAL ARE REQUIRED!!**

201



SCHEMATICS



RECOMMENDED P.C.B. LAYOUT
COMPONENT SIDE SHOWN

ELECTRICAL SPECIFICATIONS:

TURN RATIO(±3%): TX&RX= 1CT:1CT
 INDUCTANCE(100KHZ/0.1V@8mA): 350uH MIN
 INSERTION LOSS (dB MAX): -1.1 dB (0.3~100MHz)
 RETURN LOSS (dB TYP):
 -18dB (0.5~30MHz), -15.5dB (40MHz), -13.6dB (50MHz), -12dB (60~80MHz)
 CROSSTALK(dB TYP): -40dB(0.3~100MHz)
 CMR(dB TYP): -50dB(0.3~30MHz), -40dB(30~60MHz), -35dB(60~100MHz)
 HI-POT TEST : 1500Vrms/0.5mA.
 DCR: 1.0 Ω MAX

ORDER INFORMATION:
 MJKf6413-Pa08G_Sb-4D-L3
 MJK: MODULAR JACK
 f: TRANSFORMER
 6413: SERIES NO.
 Pa: PCB TYPE, RIGHT ANGLE
 08: NO. OF CONTACT, 10P8C
 GX: CONTACT PLATING OPTION
 Gf: GOLD FLASH
 Gft: GOLD FLASH ON CONTACT, TIN PLATED ON SOLDER TAIL
 G15t: 15u" GOLD ON CONTACT, TIN PLATED ON SOLDER TAIL
 G30t: 30u" GOLD ON CONTACT, TIN PLATED ON SOLDER TAIL
 G50t: 50u" GOLD ON CONTACT, TIN PLATED ON SOLDER TAIL
 Sb: SHIELDED WITH PANEL GROUNDING TAB
 4: 4 PORT
 D: Y DIM=3.05mm, PLASTIC PEG IN THE FRONT
 L3: LED1: YELLOW, LED2: GREEN

TOLERANCES UNLESS OTHERWISE SPECIFIED ±0.25			SIGNATURES	DATE	MODEL
SYMBOL △	UNIT mm	SCALE 1/1	DRAWN AARON	05/MAY/06'	TITLE MODULAR JACK
			CHECKED WENDY	05/MAY/06'	NO. MJKf6413-Pa08G_Sb-4D-L3
			APPROVALS		

Machrone