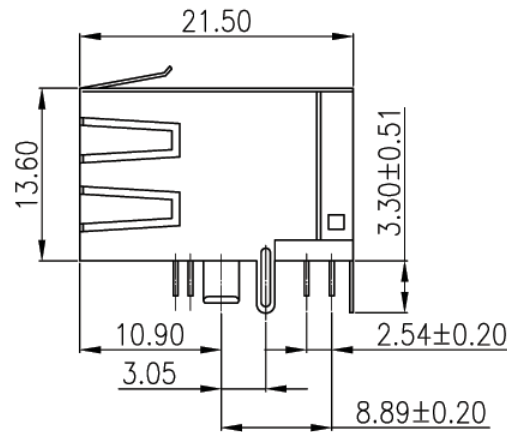
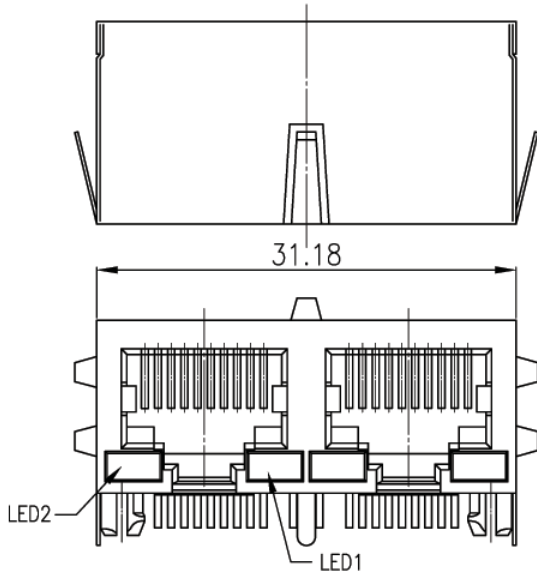


V1.1 NOTE: THIS DEVICE IS ROHS COMPLIANT.

REVISIONS							
SYM	DESCRIPTION	DATE	APPROVED	SYM	DESCRIPTION	DATE	APPROVED
△				△			
△				△			

****CUSTOMER DRAWING FOR REFERENCE ONLY, SAMPLES APPROVAL ARE REQUIRED!!**

000

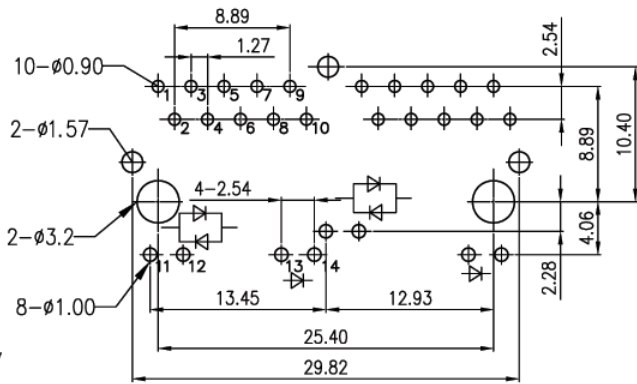


LX	LED2	LED1
L1	YELLOW	GREEN
L2	GREEN	GREEN
L3	GREEN	YELLOW
L5	GREEN	RED
L7	YELLOW	YELLOW
L8	BI-COLOUR G/Y	BI-COLOUR G/Y
L9	YELLOW	BI-COLOUR O/G

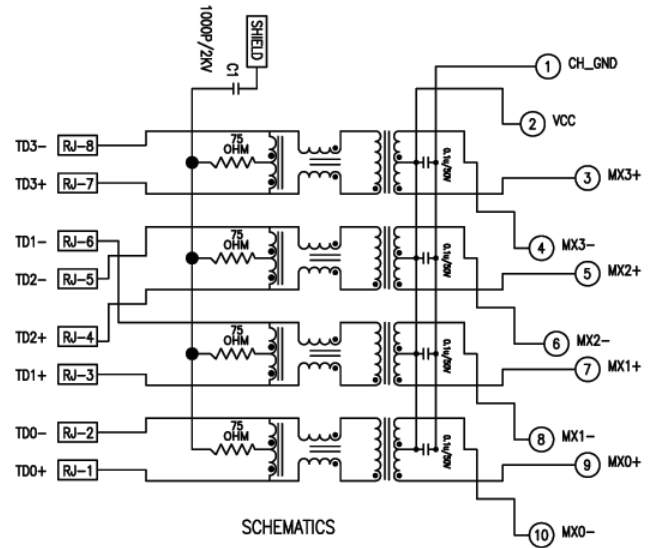
LED OPTIONS

ELECTRICAL SPECIFICATIONS@25°C

- 10/100/100 BASE-T
- INDUCTANCE(100kHz/0.1V@8mA):350uH MIN
- HI-POT:2250VDC/1.0mA FOR 60 SECOND
- TURN RATIO(±3%):TX&RX:1CT:1CT
- INSERTION LOSS(0.100-0.999MHZ/1.0-15.0MHZ/15.1-30.0MHZ/30.1-60.0MHZ/60.1-80.0MHZ/80.1-100.0MHZ): -1.0dB/-0.4dB/-0.6dB/-60dB/-1.1dB/-1.1dB MAX
- RETURN LOSS(0.100-0.999MHZ/1.0-15.0MHZ/15.1-30.0MHZ/30.1-60.0MHZ/60.1-80.0MHZ/80.1-100.0MHZ): -18.0dB/-18.0dB/-16.0dB/-16.0dB/-15.0dB/-12.0dB MIN
- CROSS TALK(0.100-0.999MHZ/1.0-15.0MHZ/15.1-30.0MHZ/30.1-60.0MHZ/60.1-80.0MHZ/80.1-100.0MHZ): -43.0dB/-35.0dB/-26.0dB/-24.0dB/-24.0dB/-24.0dB MIN
- CMR(0.100-0.999MHZ/1.0-15.0MHZ/15.1-30.0MHZ/30.1-60.0MHZ/60.1-80.0MHZ/80.1-100.0MHZ): -46.0dB/-46.0dB/-46.0dB/-42.0dB/-42.0dB/-42.0dB TYP



PCB LAYOUT
COMPONENT SIDE SHOWN



SCHEMATICS

ORDER INFORMATION:

MJKf6371-Pa001GXsb-2-LX

MJK: MODULAR JACK

f: TRANSFORMER

6371: SERIES NO.

Pa: PCB TYPE, RIGHT ANGLE

00: NO. OF CONTACT, 10P10C

1: COLOR OF PLASTIC, BLACK

GX: CONTACT PLATING OPTION

Gf: GOLD FLASH

Gf: GOLD FLASH ON CONTACT, TIN PLATED ON SOLDER TAIL

G15t: 15u" GOLD ON CONTACT, TIN PLATED ON SOLDER TAIL

G30t: 30u" GOLD ON CONTACT, TIN PLATED ON SOLDER TAIL

G50t: 50u" GOLD ON CONTACT, TIN PLATED ON SOLDER TAIL

Sb: SHIELDED WITH PANEL GROUNDING TAB

2: 2 PORT

LX: LED OPTIONS (SEE TABLE)

TOLERANCES UNLESS OTHERWISE SPECIFIED ±0.25			SIGNATURES		DATE	MODEL
SYMBOL △	UNIT mm	SCALE 1/1	DRAWN CONNIE	DATE 08/NOV/05'	TITLE MODULAR JACK	
	CHECKED WENDY			DATE 08/NOV/05'	NO. MJKf6371-Pa001G_Sb-2-L_L	
	APPROVALS					

Machrone