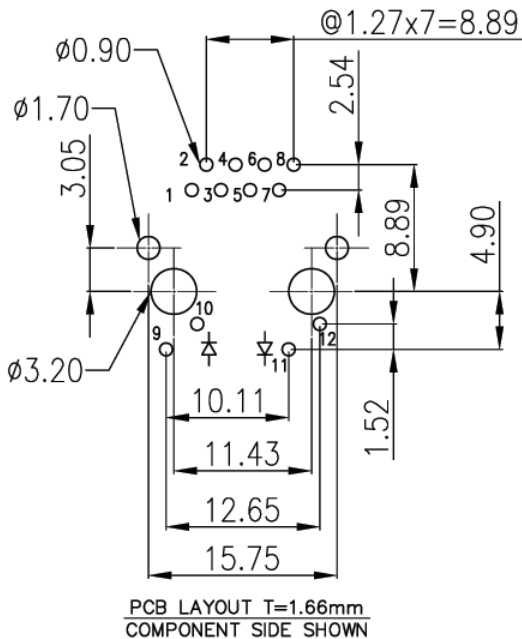
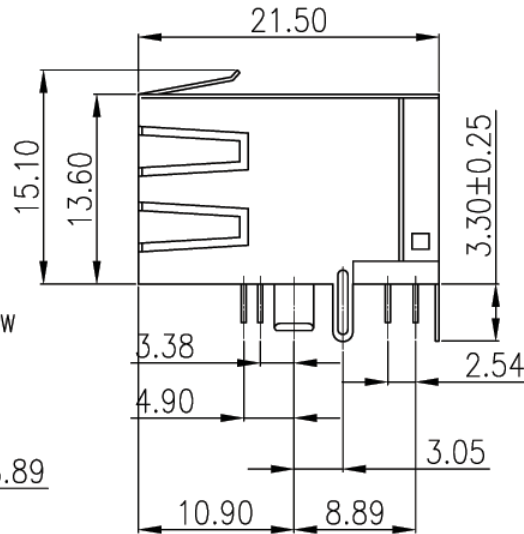
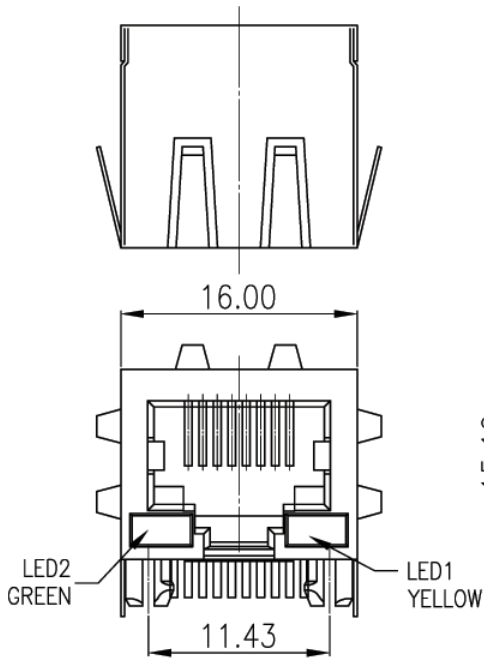


V1.1 NOTE: THIS DEVICE IS ROHS COMPLIANT.

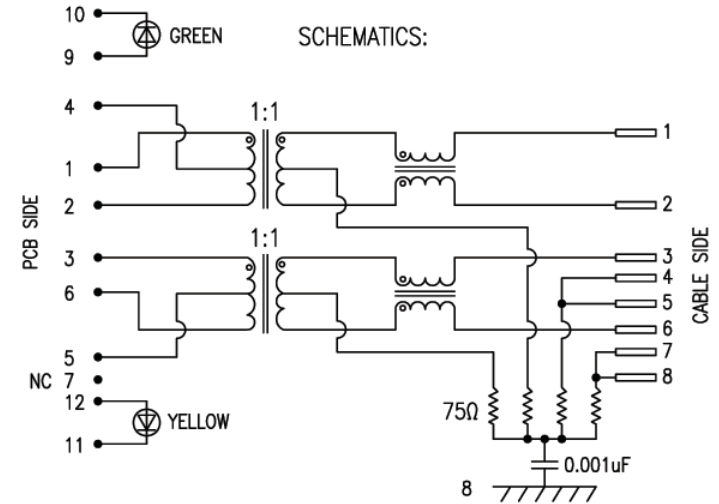
REVISIONS							
SYM	DESCRIPTION	DATE	APPROVED	SYM	DESCRIPTION	DATE	APPROVED
△				△			
△				△			

**\*\*CUSTOMER DRAWING FOR REFERENCE ONLY, SAMPLES APPROVAL ARE REQUIRED!!**

000



**ELECTRICAL SPECIFICATIONS:**  
 TURN RATIO: TRANSMIT = 1CT:1, RECEIVE = 1CT:1  
 INSERTION LOSS TX&RX (1~65MHz): -1.0 dB TYP.  
 RETURN LOSS TX&RX (dB TYP.@100Ω±15Ω):  
 -20dB (1~10MHz), -16dB (10~30MHz), -12dB (30~60MHz), -10dB (60~80MHz)  
 COMMON MODE REJECTION(dB TYP): -30dB(1~50MHz), -20dB(50~150MHz)  
 CROSSTALK(dB TYP):  
 -40dB(1~30MHz), -35dB(30~60MHz), -30dB(60~100MHz)  
 OCL: 350uH MIN @8mA DC Bias  
 HI-POT TEST: 1500Vrms/1MIN.  
 OPERATING TEMPERATURE: 0°C TO +70°C



**ORDER INFORMATION:**  
 MJKf6213-Pa881GXSb-L3  
 MJK: MODULAR JACK  
 f: TRANSFORMER  
 6213: SERIES NO.  
 Pa: PCB TYPE, RIGHT ANGLE  
 88: NO. OF CONTACT, 8P8C  
 1: COLOR OF PLASTIC, BLACK  
 GX: CONTACT PLATING OPTION  
 Gf: GOLD FLASH  
 Gft: GOLD FLASH ON CONTACT, TIN PLATED ON SOLDER TAIL  
 G15t: 15u" GOLD ON CONTACT, TIN PLATED ON SOLDER TAIL  
 G30t: 30u" GOLD ON CONTACT, TIN PLATED ON SOLDER TAIL  
 G50t: 50u" GOLD ON CONTACT, TIN PLATED ON SOLDER TAIL  
 Sb: SHIELDED WITH PANEL GROUNDING TAB  
 L3: LED1: YELLOW, LED2: GREEN

TOLERANCES UNLESS OTHERWISE SPECIFIED ±0.25			SIGNATURES		DATE	MODEL
SYMBOL	UNIT	SCALE	DRAWN	AARON	11/NOV/05	TITLE
			CHECKED	CONNIE	11/NOV/05	NO.
			APPROVALS			MJKf6213-Pa881G_Sb-L3
			<b>Machrone</b>			