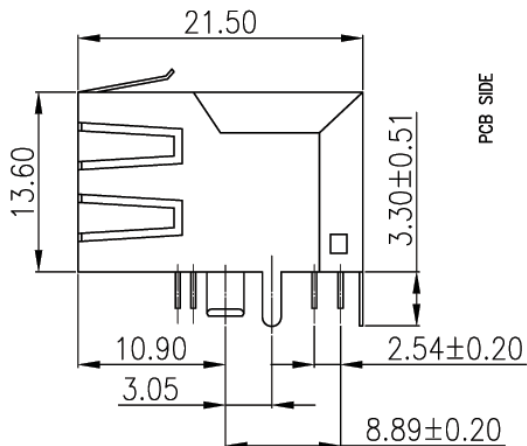
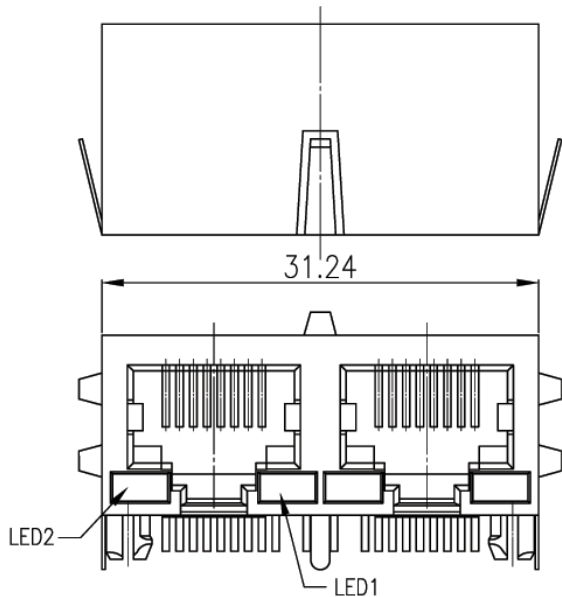


V1.1 NOTE: THIS DEVICE IS ROHS COMPLIANT.

REVISIONS							
SYM	DESCRIPTION	DATE	APPROVED	SYM	DESCRIPTION	DATE	APPROVED
△				△			
△				△			
**CUSTOMER DRAWING FOR REFERENCE ONLY, SAMPLES APPROVAL ARE REQUIRED!!							201

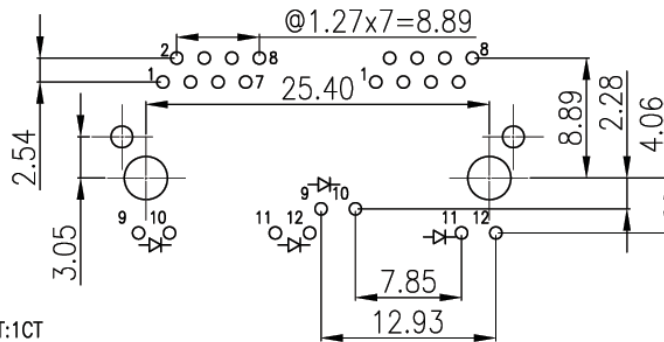


LX	LED2	LED1
L1	YELLOW	GREEN
L2	GREEN	GREEN
L3	GREEN	YELLOW
L5	GREEN	RED
L7	YELLOW	YELLOW
L8	BI-COLOUR G/Y	BI-COLOUR G/Y

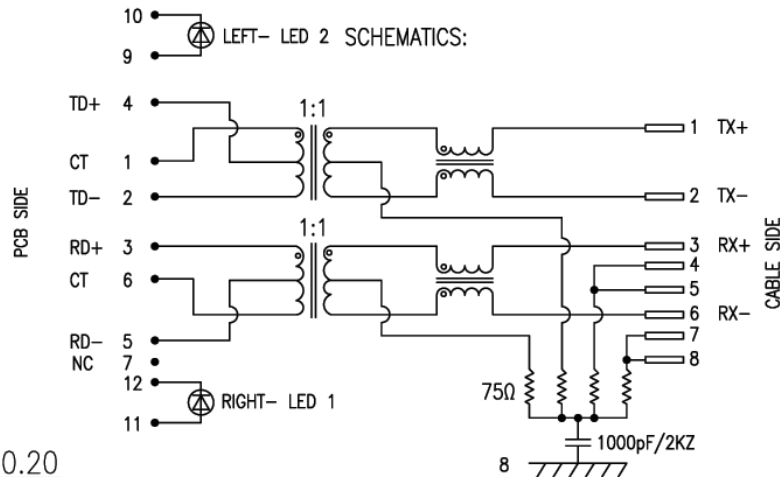
LED OPTIONS

ELECTRICAL SPECIFICATIONS:

TURN RATIO(±3%): TRANSMIT = 1CT:1CT, RECEIVE = 1CT:1CT
 INSERTION LOSS (dB MAX): -1.0 dB (1-65MHz)
 RETURN LOSS (dB TYP):
 -18dB (1~10MHz), -14dB (10~30MHz), -12dB (30~60MHz), -10dB (60~80MHz)
 CMR(dB MIN): -20dB(1~50MHz), -15dB(50~150MHz)
 CROSSTALK(dB TYP):
 -35dB(1~30MHz), -35dB(30~60MHz), -30dB(60~100MHz)
 OCL: 350uH MIN @100KHZ/0.1V/8mA Bias
 HI-POT TEST : 1650Vrms/2sec.



PCB LAYOUT
COMPONENT SIDE SHOWN



ORDER INFORMATION:

MJKf6212-Pa881GXSb-2-LX
 MJK: MODULAR JACK
 f: TRANSFORMER
 6212: SERIES NO.
 Pa: PCB TYPE, RIGHT ANGLE
 88: NO. OF CONTACT, 8P8C
 1: COLOR OF PLASTIC, BLACK
 GX: CONTACT PLATING OPTION
 Gf: GOLD FLASH
 Gft: GOLD FLASH ON CONTACT, TIN PLATED ON SOLDER TAIL
 G15t: 15u" GOLD ON CONTACT, TIN PLATED ON SOLDER TAIL
 G30t: 30u" GOLD ON CONTACT, TIN PLATED ON SOLDER TAIL
 G50t: 50u" GOLD ON CONTACT, TIN PLATED ON SOLDER TAIL
 Sb: SHIELDED WITH PANEL GROUNDING TAB
 L2: 2 PORT
 LX: LED OPTIONS (SEE TABLE)

TOLERANCES UNLESS OTHERWISE SPECIFIED ±0.25			SIGNATURES		DATE	MODEL
SYMBOL	UNIT	SCALE	DRAWN	CONNIE	18/JAN/06'	TITLE
			CHECKED	WENDY	18/JAN/06'	MODULAR JACK
			APPROVALS			NO.
△	mm	1/1				MJKf6212-Pa881G_Sb-2-L_

Machrone