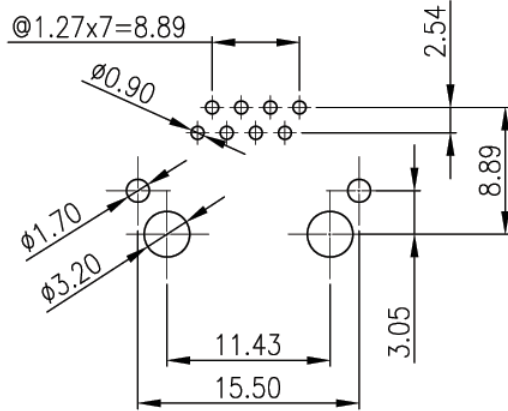
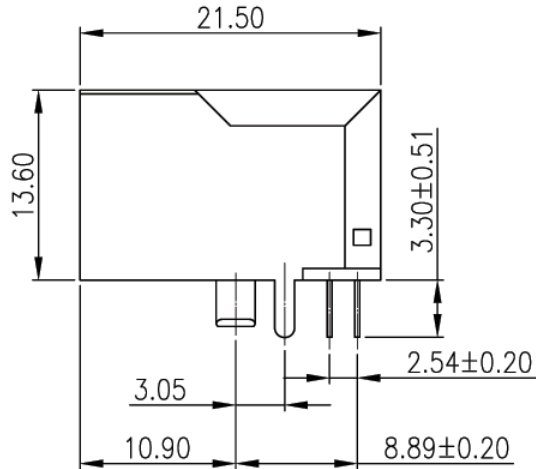
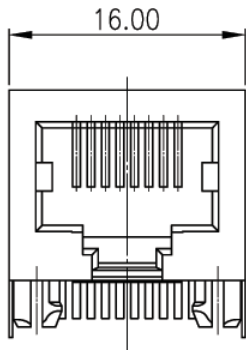


1.1 NOTE: THIS DEVICE IS ROHS COMPLIANT.



PCB LAYOUT
COMPONENT SIDE SHOWN

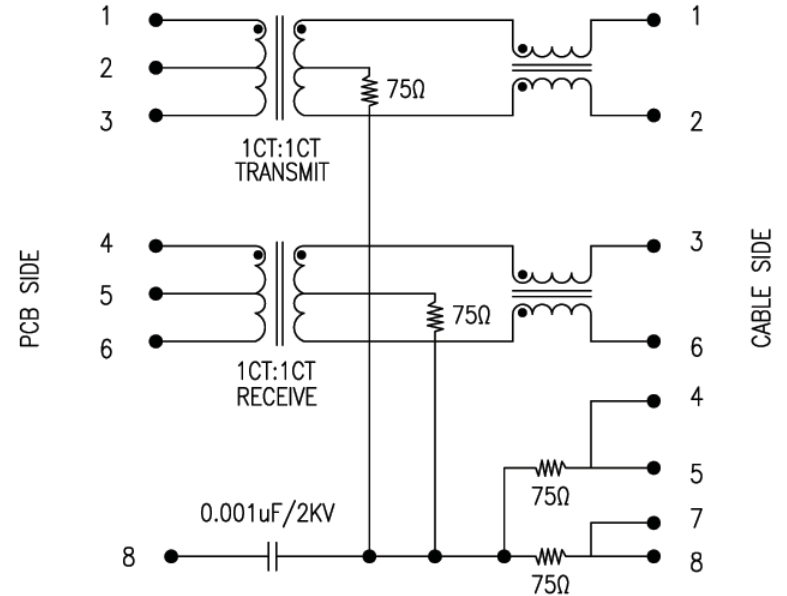


ELECTRICAL SPECIFICATIONS:
 TURN RATIO(±2%): TRANSMIT = 1CT:1CT, RECEIVE = 1CT:1CT
 INSERTION LOSS(dB MAX): -1.0 dB(1~100MHz)
 RETURN LOSS(dB MIN):-18dB (1~30MHz), -16dB (30~45MHz)
 -14dB (45~60MHz), -12dB (60~80MHz)
 CROSSTALK(dB TYP): -33dB(1~100MHz)
 COMMON MODE REJECTION(dB TYP): -35dB(1~100MHz)
 HI-POT TEST: 1500Vrms FOR 60 SECS.
 OCL: 350uH MIN @100KHZ/0.1V/8mADC
 OPERATING TEMPERATURE: 0°C TO +70°C

REVISIONS							
SYM	DESCRIPTION	DATE	APPROVED	SYM	DESCRIPTION	DATE	APPROVED
△				△			
△				△			

**CUSTOMER DRAWING FOR REFERENCE ONLY, SAMPLES APPROVAL ARE REQUIRED!!

201



SCHEMATICS:

ORDER INFORMATION:
 MJKf6113-Pa881GXS
 MJK: MODULAR JACK
 f: TRANSFORMER
 6113: SERIES NO.
 Pa: PCB TYPE, RIGHT ANGLE
 88: NO. OF CONTACT, 8P8C
 1: COLOR OF PLASTIC, BLACK
 GX: CONTACT PLATING OPTION
 Gf: GOLD FLASH
 Gft: GOLD FLASH ON CONTACT, TIN PLATED ON SOLDER TAIL
 G15t: 15u" GOLD ON CONTACT, TIN PLATED ON SOLDER TAIL
 G30t: 30u" GOLD ON CONTACT, TIN PLATED ON SOLDER TAIL
 G50t: 50u" GOLD ON CONTACT, TIN PLATED ON SOLDER TAIL
 S: SHIELDED WITHOUT PANEL GROUNDING TAB

TOLERANCES UNLESS OTHERWISE SPECIFIED ±0.25			SIGNATURES		DATE	MODEL
SYMBOL	UNIT	SCALE	DRAWN	AARON	28/DEC/05'	TITLE
			CHECKED	WENDY	28/DEC/05'	NO.
			APPROVALS			MJKf6113-Pa881G_S
Machrone						