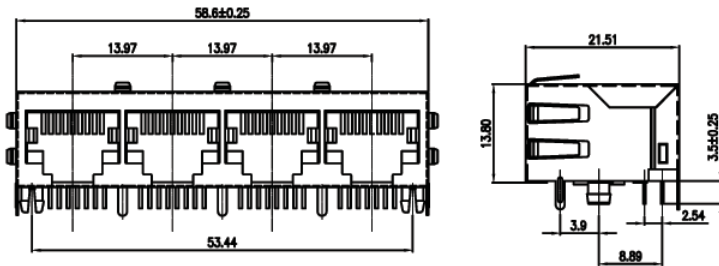


V1.1 NOTE: THIS DEVICE IS ROHS COMPLIANT.

REVISIONS							
SYM	DESCRIPTION	DATE	APPROVED	SYM	DESCRIPTION	DATE	APPROVED
△				△			
△				△			

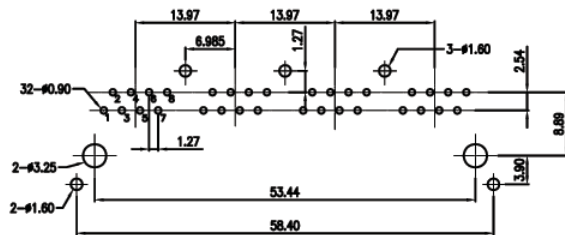
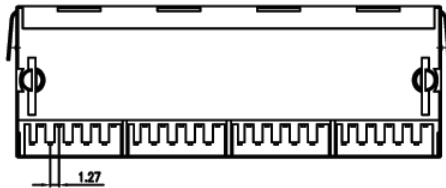
**\*\*CUSTOMER DRAWING FOR REFERENCE ONLY, SAMPLES APPROVAL ARE REQUIRED!!**

000



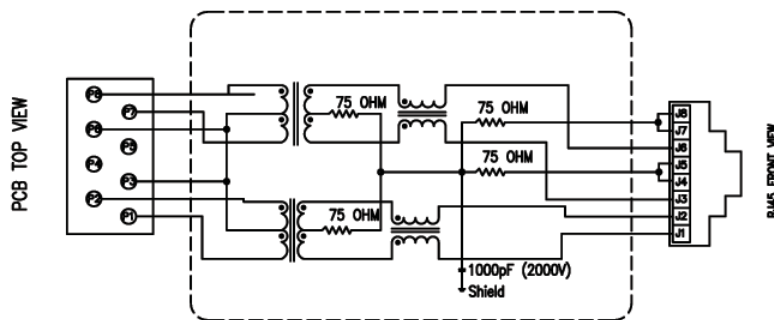
**MATERIAL:**  
 HOUSING: GLASS FILLED POLYESTER (UL-94V-0)  
 STANDARD COLOR: BLACK  
 CONTACT: 0.35mm DIA PHOSPHOR BRONZE GOLD PLATING OVER NICKEL  
 SHIELDED: 0.20mm THICKNESS COPPER ALLOY WITH TIN PLATED

**ORDER INFORMATION:**  
 MJKf5970-Pa081GXsb-4  
 MJK: MODULAR JACK  
 f: TRANSFORMER  
 5970: SERIES NO.  
 Pa: PCB TYPE, RIGHT ANGLE  
 08: NO. OF CONTACT, 10P8C  
 1: COLOR OF PLASTIC, BLACK  
 GX: CONTACT PLATING OPTION  
 Gf: GOLD FLASH  
 Gf1: GOLD FLASH ON CONTACT, TIN PLATED ON SOLDER TAIL  
 G15t: 15u" GOLD ON CONTACT, TIN PLATED ON SOLDER TAIL  
 G30t: 30u" GOLD ON CONTACT, TIN PLATED ON SOLDER TAIL  
 G50t: 50u" GOLD ON CONTACT, TIN PLATED ON SOLDER TAIL  
 Sb: SHIELDED WITH PANEL GROUNDING TAB  
 4: 4PORT



**PBT LAYOUT**

**SCHEMATICS:**



**ELECTRICAL SPECIFICATIONS:**

ISOLATION VOLTAGE: 1500 VRMS(INPUT TO OUTPUT)  
 RISE TIME(10-90%): 2.5NS TYPICAL  
 OCL: 350uH MINIMUM @100KHz 8mADC  
 INSERTION LOSS: -1.0dB MAX. @100KHz-100MHz  
 RETURN LOSS: -18dB MINIMUM @1MHz-30MHz  
 -15dB MINIMUM @40MHz-50MHz  
 -10dB MINIMUM @60MHz~80MHz

CROSSTALK: -38dB TYP.@100KHz-100MHz  
 OPERATING TEMPERATURE: 0° ~+70°  
 TURM RATIO: RX=1CT : 1CT(±3%) TX=1CT : 1CT(±3%)  
 Cw/w: 20pF TYP. @100KHz 100mV  
 LEAKAGE INDUCTANCE(TX&RX): 0.4uMHz MAX  
 CMRR: -40dB TYP. @100KHz - 100MHz

TOLERANCES UNLESS OTHERWISE SPECIFIED ±0.25			SIGNATURES	DATE	MODEL
SYMBOL △	UNIT mm	SCALE 1/1	DRAWN AARON	28/OCT/05'	TITLE MODULAR JACK
			CHECKED CONNIE	28/OCT/05'	NO. MJKf5970-Pa081G_Sb-4
			APPROVALS		

**Machrone**