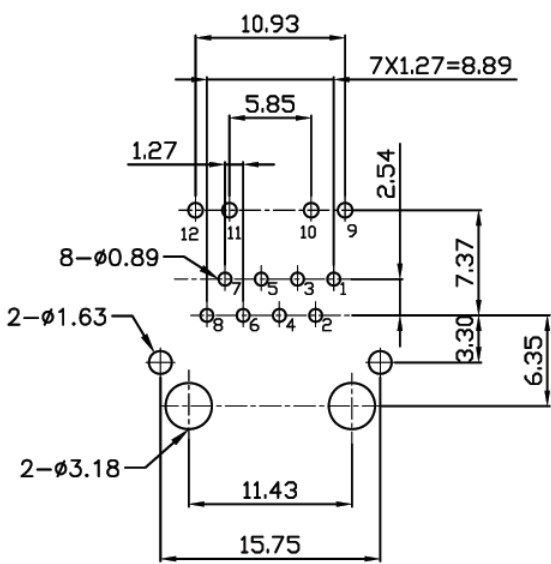
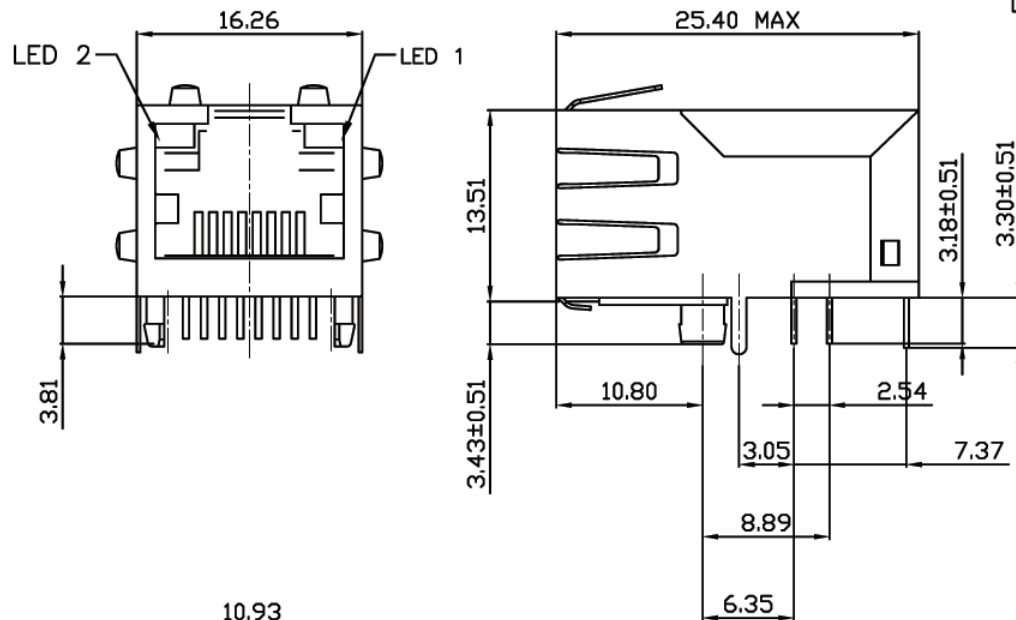


V1.1 NOTE: THIS DEVICE IS ROHS COMPLIANT.

REVISIONS							
SYM	DESCRIPTION	DATE	APPROVED	SYM	DESCRIPTION	DATE	APPROVED
△				△			
△				△			

****CUSTOMER DRAWING FOR REFERENCE ONLY, SAMPLES APPROVAL ARE REQUIRED!!**

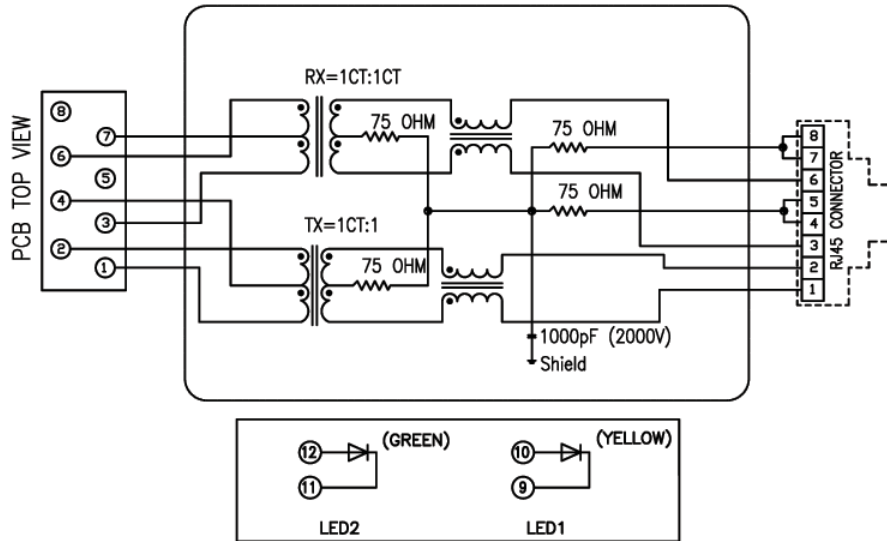
201



PCB LAYOUT

ELECTRICAL SPECIFICATIONS:
 TURN RATIO: TRANSMIT= 1CT:1, RECEIVE= 1CT:1CT
 INSERTION LOSS(dB TYP): -1.0dB(1-65MHz)
 RETURN LOSS(dB TYP): -20dB(1-10MHz), -16dB(10-30MHz),
 -12dB(30-60MHz), -10dB(60-80MHz)
 CROSS TALK(dB TYP): -40dB(1-30MHz), -35dB(30-60MHz),
 -30dB(60-100MHz)
 COMMON MODE REJECTION(dB TYP): -30dB(1-50MHz),
 -20dB(50-150MHz)
 HIPOT TEST: 1500Vrms/0.5mA/1MIN
 1500Vrms/0.5mA(CHIP SIDE TO SHIELD & CABLE SIDE
 TO SHIELD)
 OCL: 350uH MIN@8mA Bias

SCHEMATICS:



ORDER INFORMATION:
 MJKf4708-Pa88GXSb-L3
 MJK: MODULAR JACK
 f: TRANSFORMER
 4708: SERIES NO.
 Pa: PCB TYPE, RIGHT ANGLE
 88: NO. OF CONTACT, 8P8C
 GX: CONTACT PLATING OPTION
 Gf: GOLD FLASH
 Gft: GOLD FLASH ON CONTACT, TIN PLATED ON SOLDER TAIL
 G15t: 15u" GOLD ON CONTACT, TIN PLATED ON SOLDER TAIL
 G30t: 30u" GOLD ON CONTACT, TIN PLATED ON SOLDER TAIL
 G50t: 50u" GOLD ON CONTACT, TIN PLATED ON SOLDER TAIL
 Sb: SHIELDED WITH PANEL GROUNDING TAB
 L3: LED1: YELLOW, LED2: GREEN

TOLERANCES UNLESS OTHERWISE SPECIFIED ±0.25			SIGNATURES	DATE	MODEL
SYMBOL	UNIT	SCALE	DRAWN	AARON	10/MAR/06'
			CHECKED	CONNIE	10/MAR/06'
			APPROVALS		
△	mm	2/1			TITLE MODULAR JACK NO. MJKf4708-Pa88G_Sb-L3

Machrone