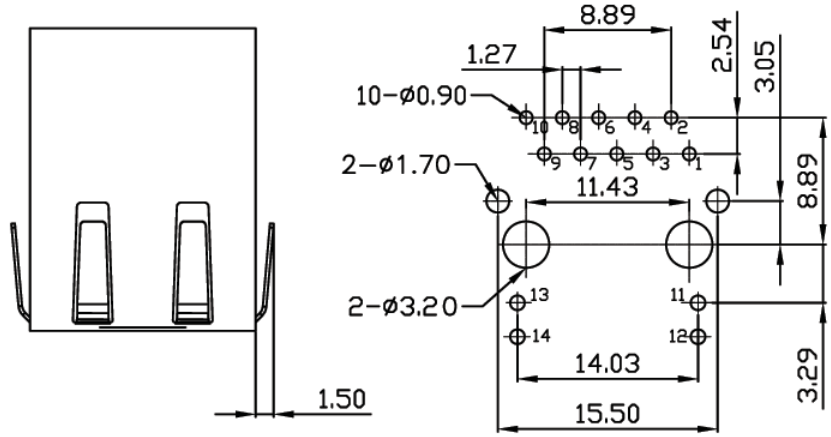


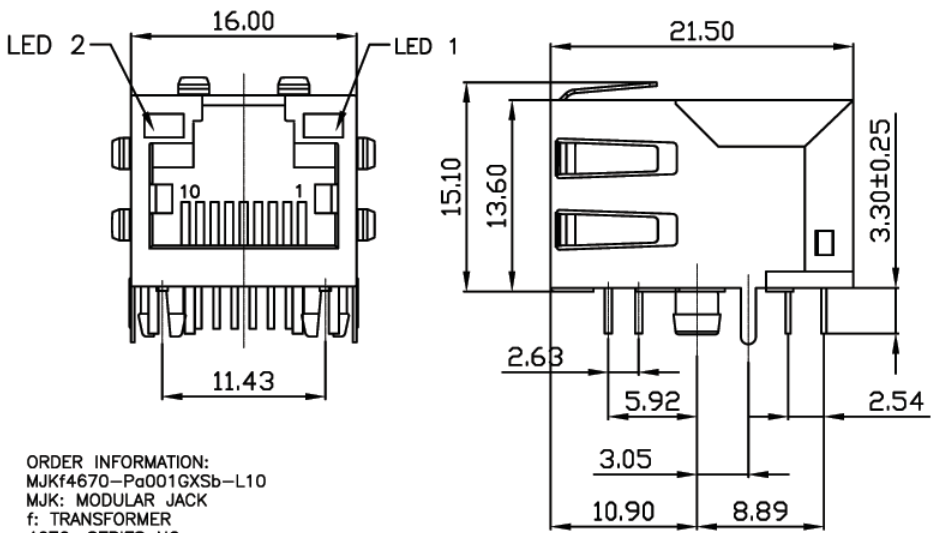
V1.1 NOTE: THIS DEVICE IS ROHS COMPLIANT.

REVISIONS							
SYM	DESCRIPTION	DATE	APPROVED	SYM	DESCRIPTION	DATE	APPROVED
Δ				Δ			
Δ				Δ			
<b>**CUSTOMER DRAWING FOR REFERENCE ONLY, SAMPLES APPROVAL ARE REQUIRED!!</b>							201

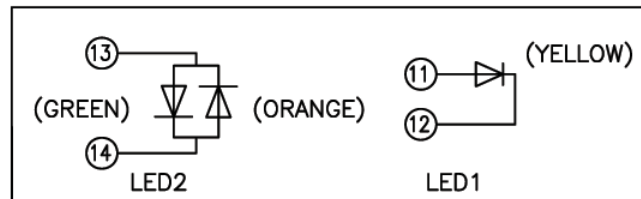
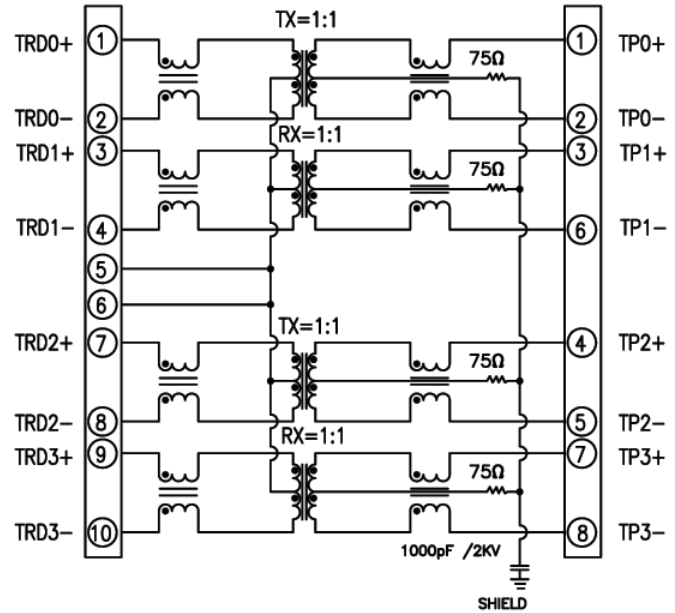
ELECTRICAL SPECIFICATIONS:  
 TURN RATIO: TRANSMIT= 1:1, RECEIVE= 1:1  
 OCL(P1-P2, P3-P6): 350uMIN@100KHz/0.1Vrms, 8mA Bias  
 DCR(P1-P2, P3-P6): 0.9Ω MAX  
 INSERTION LOSS(dB MAX): -8dB(1-100MHz), -1.2dB(100-125MHz)  
 RETURN LOSS(dB MIN): -18dB(0.3-40MHz), -12dB(40-100MHz)  
 CROSS TALK(dB MIN): -33dB MIN(1-100MHz)  
 COMMON MODE REJECTION(dB MIN): -35dB(0.3-100MHz)  
 COMMON TO DIFFERENTIAL MODE REJECTION(dB MIN): -30dB(0.3-100MHz)  
 HIPOT TEST: 1500Vrms MIN



PCB LAYOUT



ORDER INFORMATION:  
 MJKf4670-Pa001GXsb-L10  
 MJK: MODULAR JACK  
 f: TRANSFORMER  
 4670: SERIES NO.  
 Pa: PCB TYPE, RIGHT ANGLE  
 00: NO. OF CONTACT, 10P10C  
 1: COLOR OF PLASTIC, BLACK  
 GX: CONTACT PLATING OPTION  
 GF: GOLD FLASH  
 Gft: GOLD FLASH ON CONTACT, TIN PLATED ON SOLDER TAIL  
 G15t: 15u" GOLD ON CONTACT, TIN PLATED ON SOLDER TAIL  
 G30t: 30u" GOLD ON CONTACT, TIN PLATED ON SOLDER TAIL  
 G50t: 50u" GOLD ON CONTACT, TIN PLATED ON SOLDER TAIL  
 SX: SHIELDING OPTION  
 S: SHIELDED WITHOUT PANEL GROUNDING TAB  
 Sb: SHIELDED WITH PANEL GROUNDING TAB  
 L10: LED1: YELLOW, LED2: BI-COLOUR O/G



TOLERANCES UNLESS OTHERWISE SPECIFIED ±0.25			SIGNATURES		DATE	MODEL
SYMBOL	UNIT	SCALE	DRAWN	AARON	11/NOV/05'	TITLE
			CHECKED	CONNIE	11/NOV/05'	NO.
			APPROVALS			MJKf4670-Pa001G_S_-L10

**Machrone**