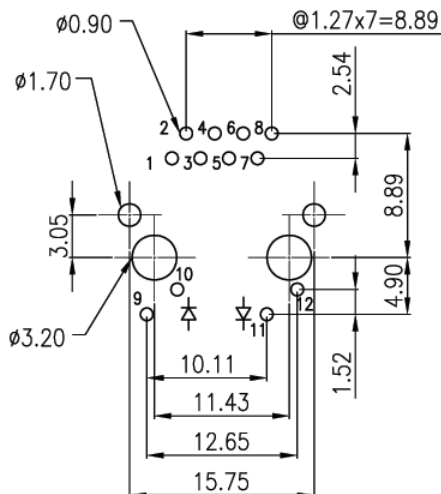
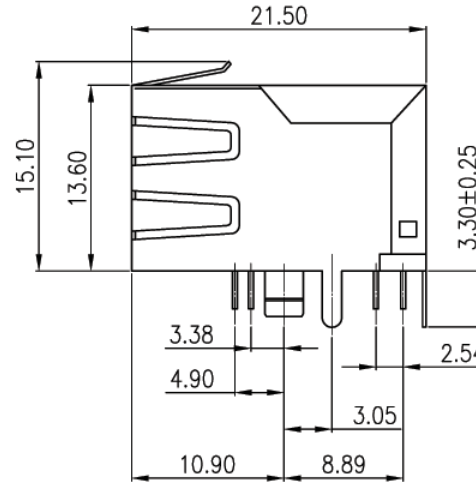
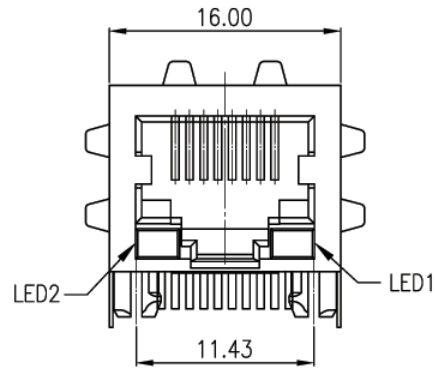


V1.2 NOTE: THIS DEVICE IS ROHS COMPLIANT.

LX	LED2	LED1
L1	YELLOW	GREEN
L2	GREEN	GREEN
L3	GREEN	YELLOW
L5	GREEN	RED
L7	YELLOW	YELLOW
L8	BI-COLOUR G/Y	BI-COLOUR G/Y
L9	YELLOW	BI-COLOUR O/G
L10	BI-COLOUR O/G	YELLOW

LED OPTIONS

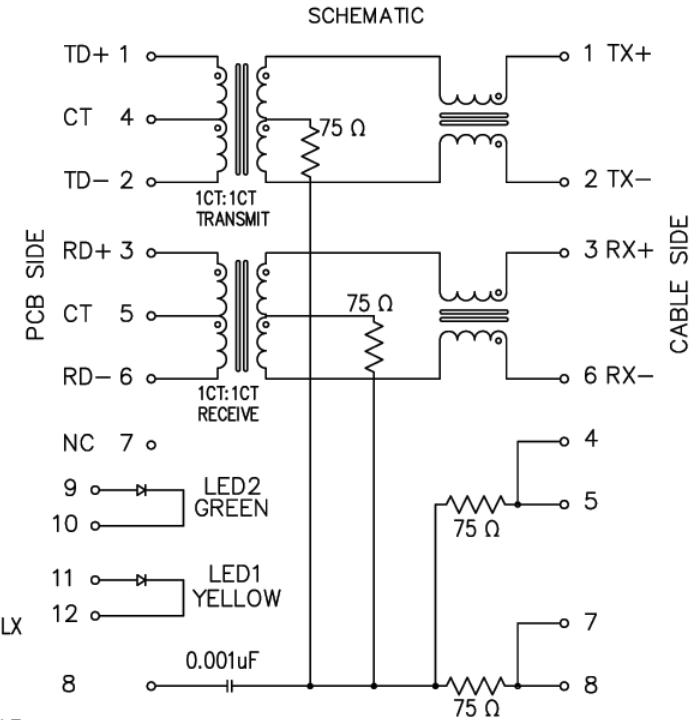
PANEL GROUND OPTION



ELECTRICAL SPECIFICATIONS:

TURN RATIO: TRANSMIT = 1CT:1.414CT±3%,
RECEIVE = 1CT:1CT±3%
INSERTION LOSS (0.1~100MHz): -1.0 dB MAX.
RETURN LOSS TX&RX (dB MIN.):
-16dB (1~30MHz), -14dB (40MHz),
-13dB (50MHz), -12dB (60~80MHz)
CROSSTALK(dB TYP): -35dB(0.1~100MHz)
CMRR(dB MIN.): -42dB(32MHz), -37dB (62MHz),
-33dB (100MHz)
OCL: 350uH MIN @100KHZ/0.1V/8mA DC Bias
HI-POT TEST: 1500Vrms
OPERATING TEMPERATURE: 0°C TO +70°C

REVISIONS							
SYM	DESCRIPTION	DATE	APPROVED	SYM	DESCRIPTION	DATE	APPROVED
△	OLD P/N: MJKF6213-Pa881G_Sb-L3	01/JUN/06	AARON	△			
△				△			
**CUSTOMER DRAWING FOR REFERENCE ONLY, SAMPLES APPROVAL ARE REQUIRED!!							201



ORDER INFORMATION:
MJKf1364A-Pa88GXSX-D-LX
MJK: MODULAR JACK
f: TRANSFORMER
1364A: SERIES NO.
Pa: PCB TYPE, RIGHT ANGLE
88: NO. OF CONTACT, 8P8C
GX: CONTACT PLATING OPTION
Gf: GOLD FLASH
Gft: GOLD FLASH ON CONTACT, TIN PLATED ON SOLDER TAIL
G15t: 15u" GOLD ON CONTACT, TIN PLATED ON SOLDER TAIL
G30t: 30u" GOLD ON CONTACT, TIN PLATED ON SOLDER TAIL
G50t: 50u" GOLD ON CONTACT, TIN PLATED ON SOLDER TAIL
SX: SHIELDED OPTION
S: SHIELDED WITHOUT PANEL GROUNDING TAB
Sb: SHIELDED WITH PANEL GROUNDING TAB
D: DIM D= 3.05 mm, PLASTIC PEG IN THE FRONT
LX: LED OPTION

TOLERANCES UNLESS OTHERWISE SPECIFIED ±0.25			SIGNATURES	DATE	MODEL
SYMBOL	UNIT	SCALE	DRAWN	AARON	11/NOV/05
			CHECKED	WENDY	11/NOV/05
			APPROVALS		
△	mm	2/1	TITLE MODULAR JACK NO. MJKf1364A-Pa88G_S_-D-L_		

Machrone