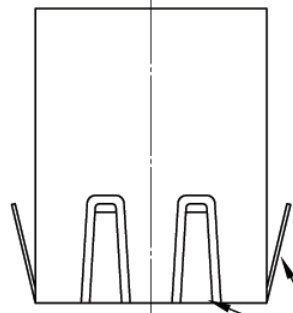


V1.1 NOTE: THIS DEVICE IS ROHS COMPLIANT.

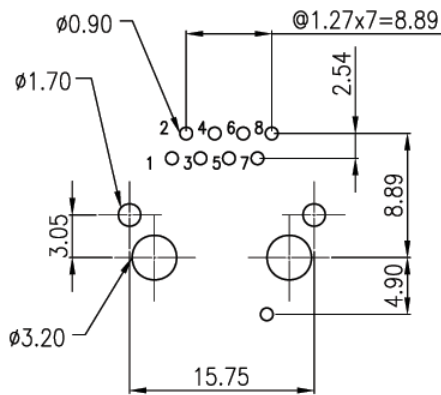
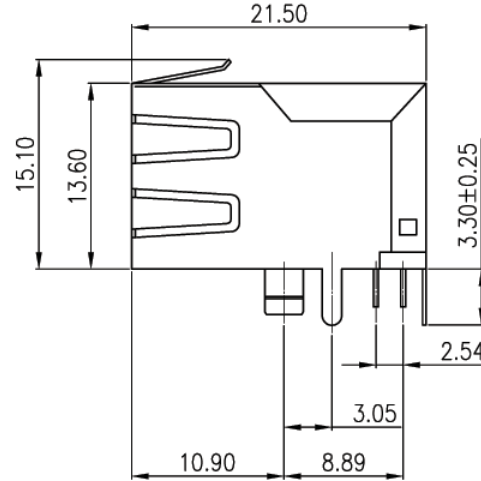
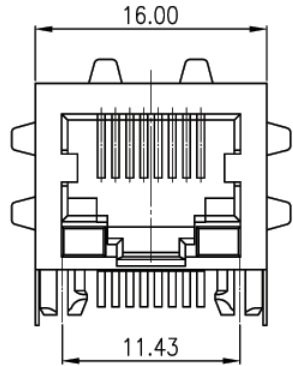
REVISIONS							
SYM	DESCRIPTION	DATE	APPROVED	SYM	DESCRIPTION	DATE	APPROVED
△	OLD P/N: MJKf6213-Pa881G_Sb-L3	01/JUN/06	AARON	△			
△				△			

****CUSTOMER DRAWING FOR REFERENCE ONLY, SAMPLES APPROVAL ARE REQUIRED!!**

201



PANEL GROUND OPTION



PCB LAYOUT

ELECTRICAL SPECIFICATIONS:

TURN RATIO: TRANSMIT = 1CT:1CT±3%,
RECEIVE = 1CT:1CT±3%

INSERTION LOSS (0.1~100MHz): -1.0 dB MAX.

RETURN LOSS TX&RX (dB MIN.):

-16dB (1~30MHz), -14dB (40MHz),
-13dB (50MHz), -12dB (60~80MHz)

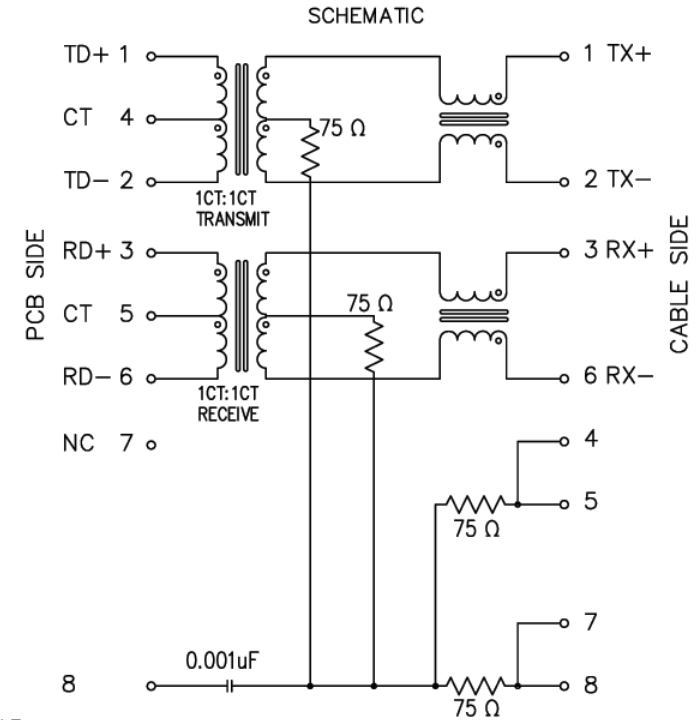
CROSSTALK(dB TYP): -35dB(0.1~100MHz)

CMRR(dB MIN.): -42dB(32MHz), -37dB (62MHz),
-33dB (100MHz)

OCL: 350uH MIN @100KHZ/0.1V/8mA DC Bias

HI-POT TEST: 1500Vrms

OPERATING TEMPERATURE: 0°C TO +70°C



ORDER INFORMATION:

MJKf1364-Pa88GXSX-D

MJK: MODULAR JACK

f: TRANSFORMER

1364: SERIES NO.

Pa: PCB TYPE, RIGHT ANGLE

88: NO. OF CONTACT, 8P8C

GX: CONTACT PLATING OPTION

Gf: GOLD FLASH

Gft: GOLD FLASH ON CONTACT, TIN PLATED ON SOLDER TAIL

G15t: 15u" GOLD ON CONTACT, TIN PLATED ON SOLDER TAIL

G30t: 30u" GOLD ON CONTACT, TIN PLATED ON SOLDER TAIL

G50t: 50u" GOLD ON CONTACT, TIN PLATED ON SOLDER TAIL

SX: SHIELDED OPTION

S: SHIELDED WITHOUT PANEL GROUNDING TAB

Sb: SHIELDED WITH PANEL GROUNDING TAB

D: DIM D= 3.05 mm, PLASTIC PEG IN THE FRONT

TOLERANCES UNLESS OTHERWISE SPECIFIED ±0.25			SIGNATURES	DATE	MODEL
SYMBOL	UNIT	SCALE	DRAWN AARON	11/NOV/05	TITLE
△	mm	2/1	CHECKED WENDY	11/NOV/05	NO.
			APPROVALS		MJKf1364-Pa88G_S_-D

Machrone