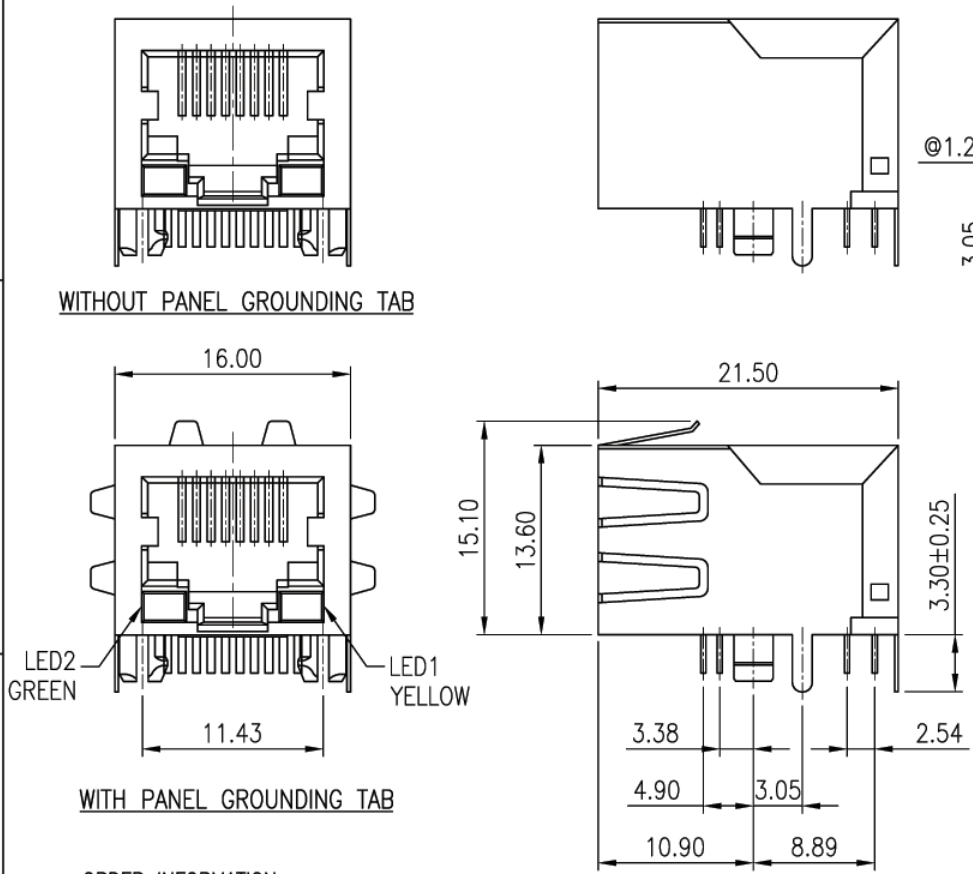
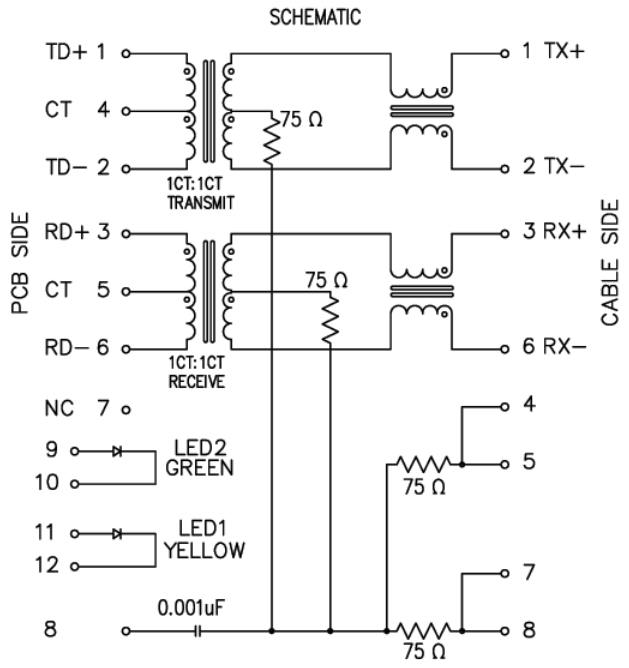
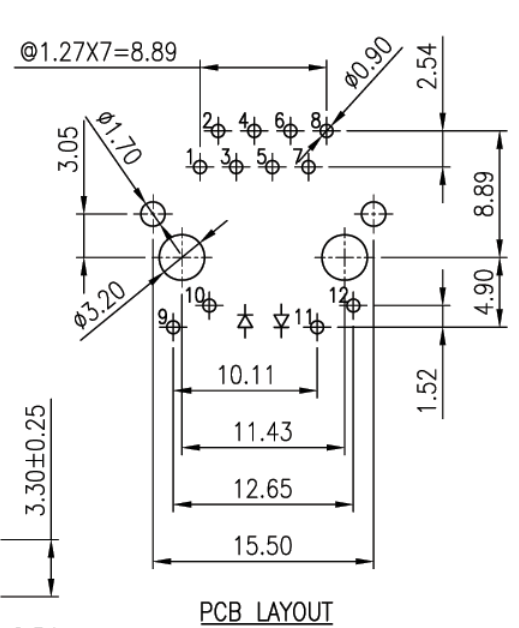


V1.1 NOTE: THIS DEVICE IS ROHS COMPLIANT.

REVISIONS							
SYM	DESCRIPTION	DATE	APPROVED	SYM	DESCRIPTION	DATE	APPROVED
△	OLD P/N: MJKf6213-Pa881G_Sb-L3	01/JUN/06'	AARON	△			
△	REVISED DRAWING & ORDER INFORMATION	11/AUG/06'	KEN	△			
**CUSTOMER DRAWING FOR REFERENCE ONLY, SAMPLES APPROVAL ARE REQUIRED!!							201



ORDER INFORMATION:
 MJKf1364-Pa88GXSX-D-L3
 MJK: MODULAR JACK
 f: TRANSFORMER
 1364: SERIES NO.
 Pa: PCB TYPE, RIGHT ANGLE
 88: NO. OF CONTACT, 8P8C
 GX: CONTACT PLATING OPTION
 Gf: GOLD FLASH
 Gft: GOLD FLASH ON CONTACT, TIN PLATED ON SOLDER TAIL
 G15t: 15u" GOLD ON CONTACT, TIN PLATED ON SOLDER TAIL
 G30t: 30u" GOLD ON CONTACT, TIN PLATED ON SOLDER TAIL
 G50t: 50u" GOLD ON CONTACT, TIN PLATED ON SOLDER TAIL
 SX: PANEL GROUNDING TAB OPTION
 S: SHIELDED WITHOUT PANEL GROUNDING TAB
 Sb: SHIELDED WITH PANEL GROUNDING TAB
 D: DIM D= 3.05 mm, PLASTIC PEG IN THE FRONT
 L3: LED1: YELLOW, LED2: GREEN



ELECTRICAL SPECIFICATIONS:
 TURN RATIO: TRANSMIT=1CT:1CT±3%, RECEIVE=1CT:1CT±3%
 INSERTION LOSS (0.1~100MHz): -1.0 dB MAX.
 RETURN LOSS TX&RX (dB MIN.): -16dB(1~30MHz), -14dB(40MHz), -13dB(50MHz), -12dB(60~80MHz)
 CROSSTALK(dB TYP): -35dB(0.1~100MHz)
 CMRR(dB MIN.): -42dB(32MHz), -37dB(62MHz), -33dB(100MHz)
 OCL: 350uH MIN @100KHZ/0.1V/8mA DC Bias
 HI-POT TEST: 1500Vrms
 OPERATING TEMPERATURE: 0°C TO +70°C

TOLERANCES UNLESS OTHERWISE SPECIFIED ±0.25			SIGNATURES	DATE	MODEL
SYMBOL	UNIT	SCALE	DRAWN	AARON	11/NOV/05'
			CHECKED	WENDY	11/NOV/05'
			APPROVALS		
△	mm	2/1	TITLE MODULAR JACK NO. MJKf1364-Pa88G_S_-D-L3		

Machrone