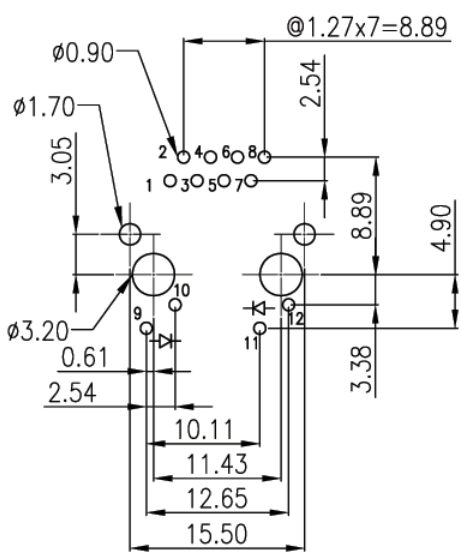
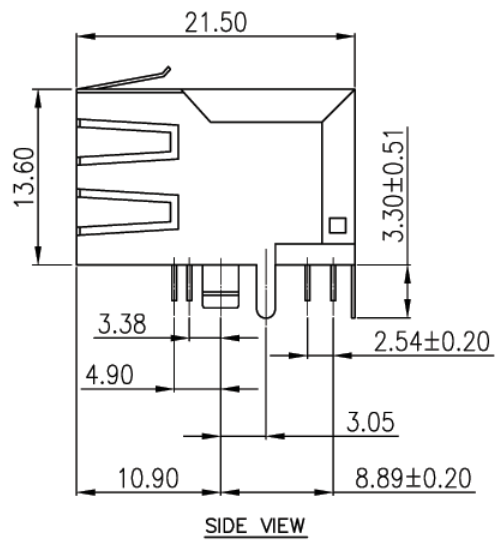
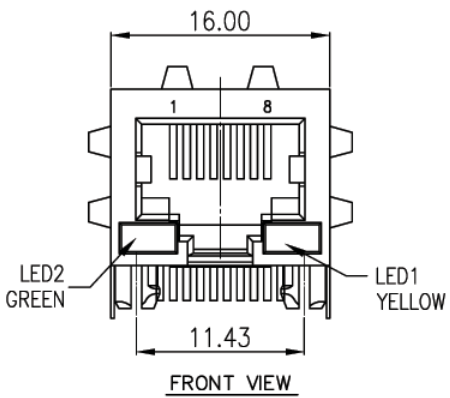
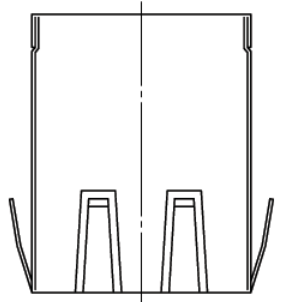


V1.1 NOTE: THIS DEVICE IS ROHS COMPLIANT.

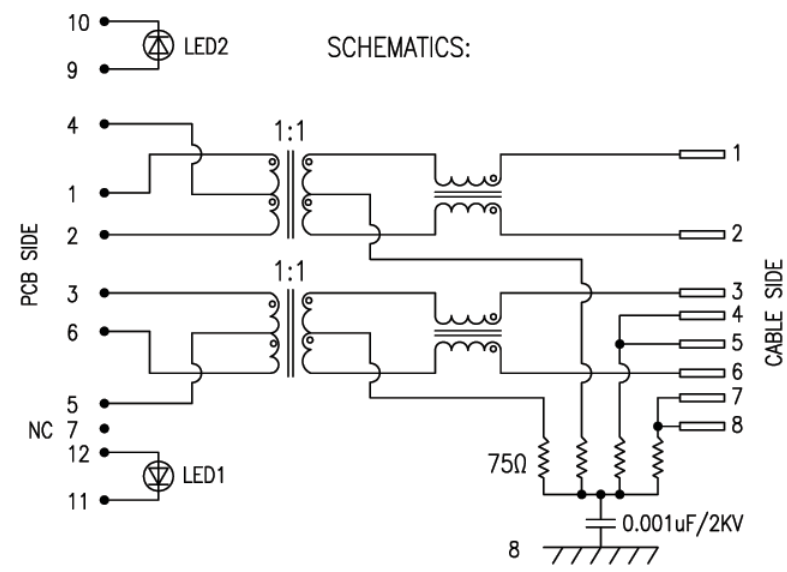
REVISIONS							
SYM	DESCRIPTION	DATE	APPROVED	SYM	DESCRIPTION	DATE	APPROVED
△				△			
△				△			

\*\*CUSTOMER DRAWING FOR REFERENCE ONLY, SAMPLES APPROVAL ARE REQUIRED!!

201



**ELECTRICAL SPECIFICATIONS:**  
 TURN RATIO: TRANSMIT = 1CT:1, RECEIVE = 1CT:1  
 INSERTION LOSS TX&RX (1~65MHz): -1.0 dB TYP.  
 RETURN LOSS TX&RX (dB MIN. @100Ω±15Ω):  
 -18dB (1~10MHz), -14dB (10~30MHz), -12dB (30~60MHz), -10dB (60~80MHz)  
 CROSSTALK(dB MIN): -35dB(1~30MHz), -35dB(30~60MHz), -30dB(60~100MHz)  
 COMMON MODE REJECTION(dB MIN): -20dB(1~50MHz), -15dB(50~150MHz)  
 OCL: 350uH MIN. @100KHZ/0.1V/8mA DC Bias  
 HI-POT (PCB TO RJ45): 1500Vrms/0.5mA MIN.  
 OPERATING TEMPERATURE: 0°C TO +70°C



**ORDER INFORMATION:**  
 MJKf1363-Pa881GXSb-L3  
 MJK: MODULAR JACK  
 f: TRANSFORMER  
 1363: SERIES NO.  
 Pa: PCB TYPE, RIGHT ANGLE  
 88: NO. OF CONTACT, 8P8C  
 1: COLOR OF PLASTIC, BLACK  
 GX: CONTACT PLATING OPTION  
 Gf: GOLD FLASH  
 Gt: GOLD FLASH ON CONTACT, TIN PLATED ON SOLDER TAIL  
 G15t: 15u" GOLD ON CONTACT, TIN PLATED ON SOLDER TAIL  
 G30t: 30u" GOLD ON CONTACT, TIN PLATED ON SOLDER TAIL  
 G50t: 50u" GOLD ON CONTACT, TIN PLATED ON SOLDER TAIL  
 Sb: SHIELDED WITH PANEL GROUNDING TAB  
 L3: LED1: YELLOW, LED2: GREEN

TOLERANCES UNLESS OTHERWISE SPECIFIED ±0.25			SIGNATURES	DATE	MODEL
SYMBOL △	UNIT	SCALE 1/1	DRAWN AARON	19/JAN/06'	TITLE MODULAR JACK
			CHECKED CONNIE	19/JAN/05'	NO.
			APPROVALS		MJKf1363-Pa881G_Sb-L3

**Machrone**