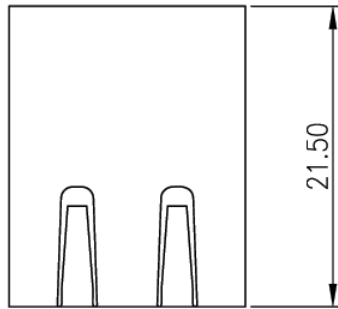
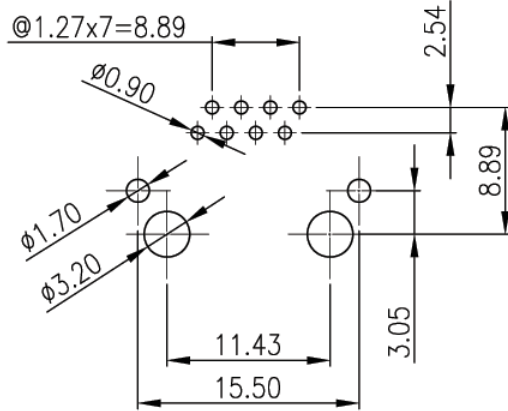


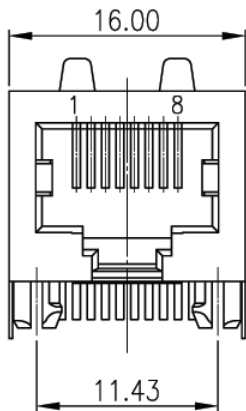
1.1 NOTE: THIS DEVICE IS ROHS COMPLIANT.



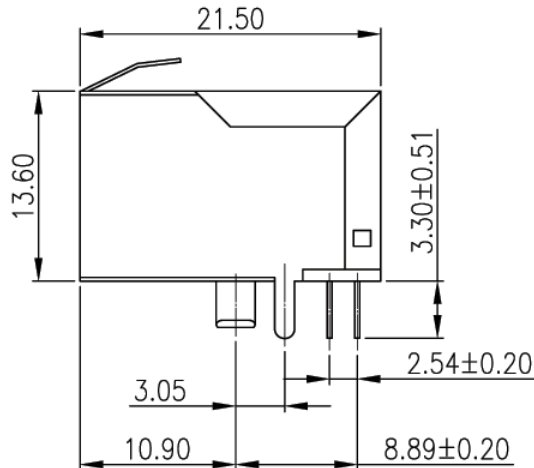
TOP VIEW



PCB LAYOUT
COMPONENT SIDE SHOWN



FRONT VIEW

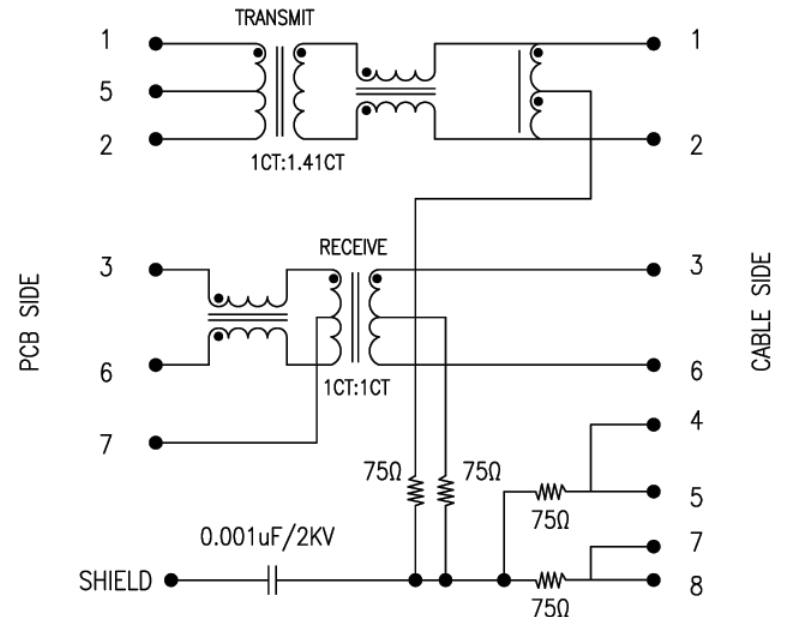


SIDE VIEW

ELECTRICAL SPECIFICATIONS@25°C:

TURN RATIO(±2%): TX = 1CT:1.41CT, RX = 1CT:1CT
 INDUCTANCE(100KHz/100mV@8mA): 350uH MIN
 INSERTION LOSS(dB MAX): -1.0 dB (1~80MHz), -1.5dB (100MHZ)
 RETURN LOSS(dB MIN):-20dB (1~30MHz), -10dB (60~80MHz)
 CROSS TALK(dB MIN): -35dB (1~100MHz)
 CMR(dB MIN): -30dB(1~100MHz), -20dB(200MHz)
 HI-POT TEST: 1000Vrms/60SEC.

| REVISIONS | | | | | | | |
|--|-------------|------|----------|-----|-------------|------|----------|
| SYM | DESCRIPTION | DATE | APPROVED | SYM | DESCRIPTION | DATE | APPROVED |
| △ | | | | △ | | | |
| △ | | | | △ | | | |
| **CUSTOMER DRAWING FOR REFERENCE ONLY, SAMPLES APPROVAL ARE REQUIRED!! | | | | | | | 201 |



SCHEMATICS:

ORDER INFORMATION:
 MJKf1362P-Pa881GXSb-D
 MJK: MODULAR JACK
 f: TRANSFORMER
 1362P: SERIES NO.
 Pa: PCB TYPE, RIGHT ANGLE
 88: NO. OF CONTACT, 8P8C
 GX: CONTACT PLATING OPTION
 Gf: GOLD FLASH
 Gft: GOLD FLASH ON CONTACT, TIN PLATED ON SOLDER TAIL
 G15t: 15u" GOLD ON CONTACT, TIN PLATED ON SOLDER TAIL
 G30t: 30u" GOLD ON CONTACT, TIN PLATED ON SOLDER TAIL
 G50t: 50u" GOLD ON CONTACT, TIN PLATED ON SOLDER TAIL
 SbT: SHIELDED WITH TOP PANEL GROUNDING TAB
 D: DIM G=3.05 mm, PLASTIC PEG IN THE FRONT

| TOLERANCES UNLESS OTHERWISE SPECIFIED ±0.25 | | | SIGNATURES | DATE | MODEL |
|---|------|-------|------------|--------|------------------------------|
| SYMBOL | UNIT | SCALE | DRAWN | AARON | 09/FEB/06' |
| | | | CHECKED | CONNIE | 09/FEB/06' |
| | | | APPROVALS | | |
| △ | mm | 1/1 | | | TITLE MODULAR JACK |
| | | | | | NO. MJKf1362P-Pa88GXSbT-D |

Machrone