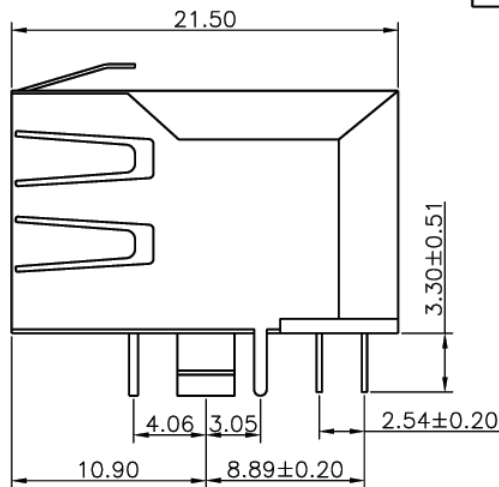
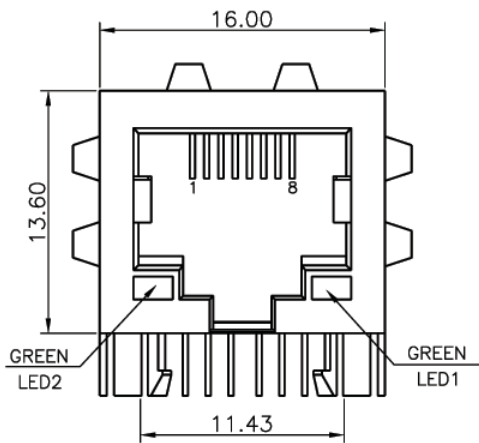


V1.1 NOTE: THIS DEVICE IS ROHS COMPLIANT.

REVISIONS							
SYM	DESCRIPTION	DATE	APPROVED	SYM	DESCRIPTION	DATE	APPROVED
△				△			
△				△			

****CUSTOMER DRAWING FOR REFERENCE ONLY, SAMPLES APPROVAL ARE REQUIRED!!**

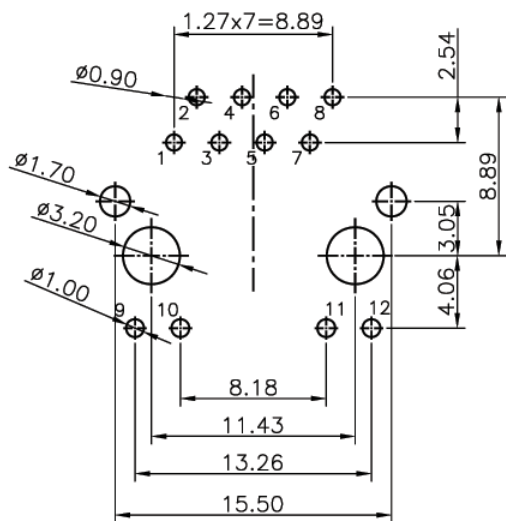
201



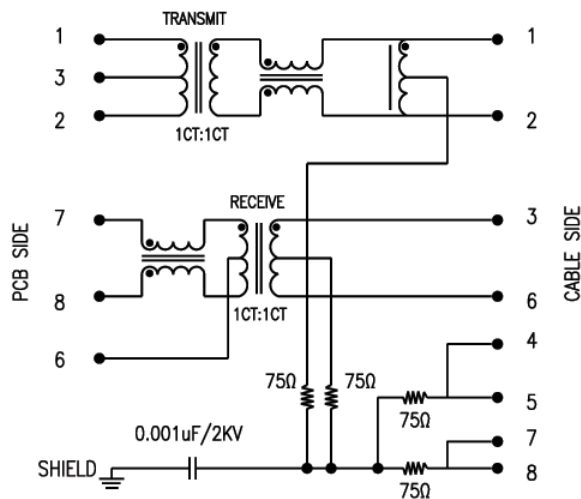
ELECTRICAL SPECIFICATIONS@25°C:
 TURN RATIO(±3%): TRANSMIT = 1CT:1CT, RECEIVE = 1CT:1CT
 OCL: 350uH MIN @100KHz/ 0.1Vrms/ 8mA Bias
 INSERTION LOSS(dB MAX): -1.0 dB (1~100MHz)
 RETURN LOSS(dB MIN):
 TX: -20dB (1~30MHz), -15dB (30~60MHz), -11dB (60~80MHz)
 RX: -20dB (1~30MHz), -17dB (30~60MHz), -15dB (60~80MHz)
 CROSS TALK(dB MIN): -30dB (1~100MHz)
 CMR(dB MIN): -30dB(1~100MHz)
 HI-POT TEST: 1500Vrms FOR 60 SEC.
 ROHS COMPLIANCE: YES

ORDER INFORMATION:

MJKf1362-Pa881GXSbt-L2-D
 MJK: MODULAR JACK
 f: TRANSFORMER
 1362: SERIES NO.
 Pa: PCB TYPE, RIGHT ANGLE
 88: NO. OF CONTACT, 8P8C
 GX: CONTACT PLATING OPTION
 Gf: GOLD FLASH
 Gft: GOLD FLASH ON CONTACT, TIN PLATED ON SOLDER TAIL
 G15t: 15u" GOLD ON CONTACT, TIN PLATED ON SOLDER TAIL
 G30t: 30u" GOLD ON CONTACT, TIN PLATED ON SOLDER TAIL
 G50t: 50u" GOLD ON CONTACT, TIN PLATED ON SOLDER TAIL
 Sb: SHIELDED WITH PANEL GROUNDING TAB
 L2: LED1: GREEN, LED2: GREEN
 D: DIM G=3.05 mm, PLASTIC PEG IN THE FRONT



P.C.B. LAYOUT



SCHEMATICS:



TOLERANCES UNLESS OTHERWISE SPECIFIED ±0.25			SIGNATURES	DATE	MODEL
SYMBOL △	UNIT	SCALE	DRAWN AARON	09/FEB/06'	TITLE
	mm	4/1	CHECKED CONNIE	09/FEB/06'	MODULAR JACK
	APPROVALS				NO. MJKf1362-Pa88GXSb-L2-D

Machrone