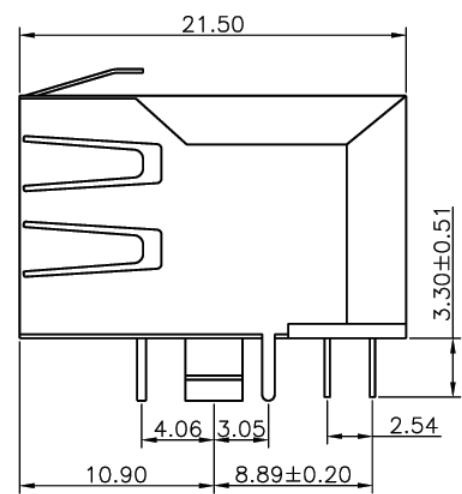
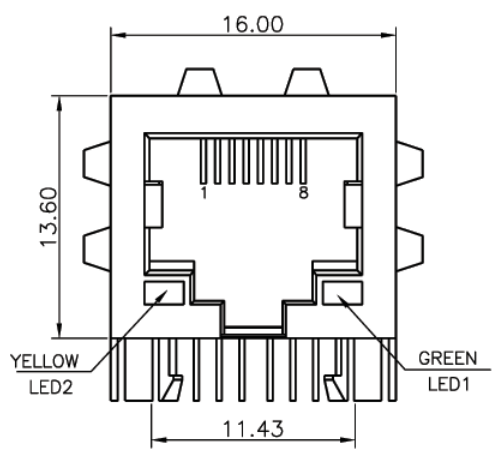


V1.1 NOTE: THIS DEVICE IS ROHS COMPLIANT.

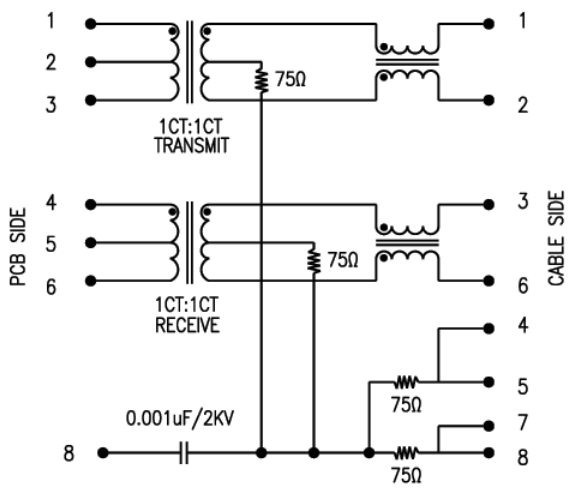
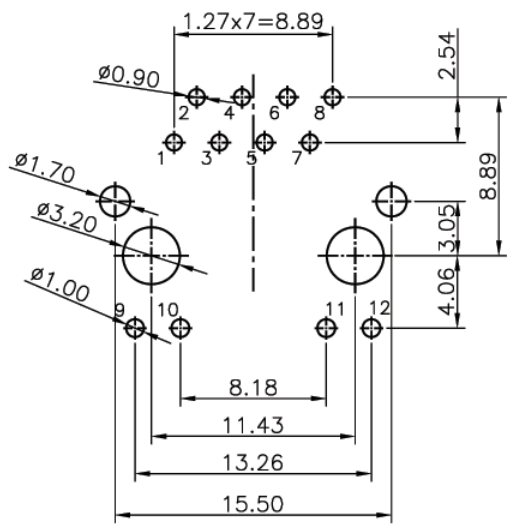
REVISIONS							
SYM	DESCRIPTION	DATE	APPROVED	SYM	DESCRIPTION	DATE	APPROVED
△				△			
△				△			

**\*\*CUSTOMER DRAWING FOR REFERENCE ONLY, SAMPLES APPROVAL ARE REQUIRED!!**

201



ELECTRICAL SPECIFICATIONS@25°C:  
 TURN RATIO(±3%): 1CT:1CT  
 INDUCTANCE(100KHz/100mV@8mA): 350uH MIN  
 INSERTION LOSS(dB TYP): -1.1 dB (0.3~100MHz)  
 RETURN LOSS(dB MIN): -18dB (1~30MHz), -12dB (60~80MHz)  
 CROSS TALK(dB TYP): -40dB (1~100MHz)  
 CMR(dB TYP): -35dB(30~100MHz)  
 CWW(100KHz/100mV): 30pF MAX.  
 LEAKAGE INDUCTANCE(100KHz/100mV): 0.3uH MAX.  
 DCR(j1-j2=j3-j6): 1.2Ω MAX.  
 HI-POT TEST: 1500Vrms  
 ROHS COMPLIANCE: YES



ORDER INFORMATION:  
 MJKf1361-Pa88GXsb-D-L1  
 MJK: MODULAR JACK  
 f: TRANSFORMER  
 1361: SERIES NO.  
 Pa: PCB TYPE, RIGHT ANGLE  
 88: NO. OF CONTACT, 8P8C  
 GX: CONTACT PLATING OPTION  
 Gf: GOLD FLASH  
 Gft: GOLD FLASH ON CONTACT, TIN PLATED ON SOLDER TAIL  
 G15t: 15u" GOLD ON CONTACT, TIN PLATED ON SOLDER TAIL  
 G30t: 30u" GOLD ON CONTACT, TIN PLATED ON SOLDER TAIL  
 G50t: 50u" GOLD ON CONTACT, TIN PLATED ON SOLDER TAIL  
 Sb: SHIELDED WITH PANEL GROUNDING TAB  
 D: DIM G=3.05 mm, PLASTIC PEG IN THE FRONT  
 L1: LED1: GREEN, LED2: YELLOW

P.C.B. LAYOUT

SCHEMATICS:

TOLERANCES UNLESS OTHERWISE SPECIFIED ±0.25			SIGNATURES	DATE	MODEL
SYMBOL	UNIT	SCALE	DRAWN AARON	24/FEB/06'	TITLE
△	mm	4/1	CHECKED WENDY	24/FEB/06'	MODULAR JACK
			APPROVALS		NO. MJKf1361-Pa88GXsb-D-L1

**Machrone**