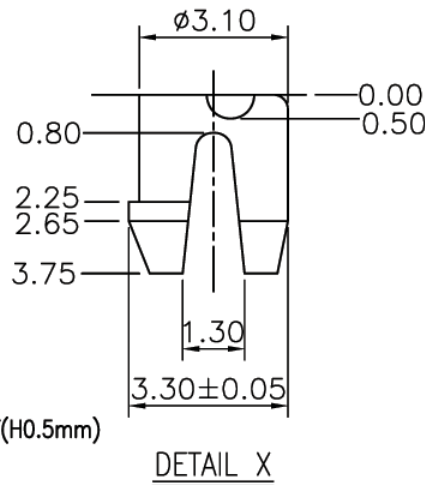
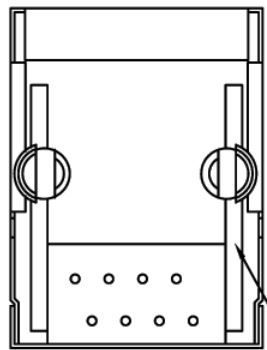
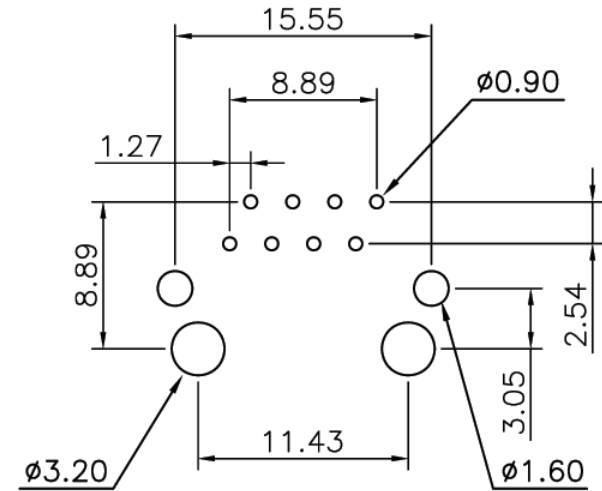
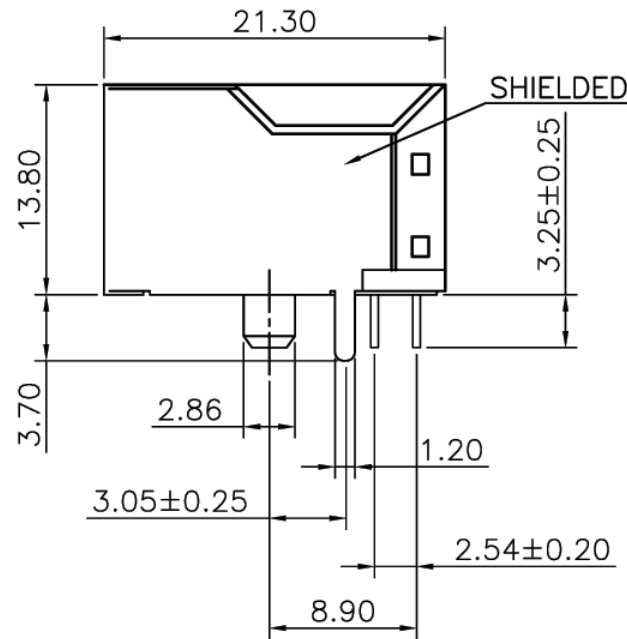
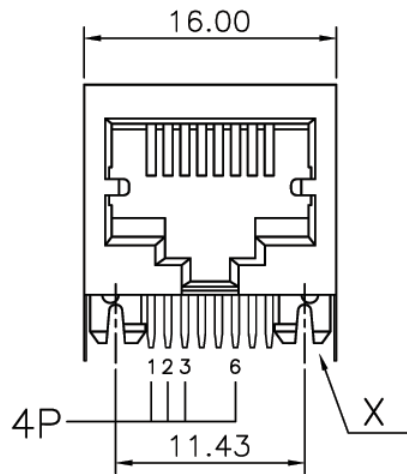


V1.1 NOTE: THIS DEVICE IS ROHS COMPLIANT.

REVISIONS									
SYM	DESCRIPTION		DATE	APPROVED	SYM	DESCRIPTION		DATE	APPROVED
△	NOTE	ROHS STANDARD	14/FEB/06	AARON	△				
△					△				
**CUSTOMER DRAWING FOR REFERENCE ONLY, SAMPLES APPROVAL ARE REQUIRED!!									121



MATERIAL:
 HOUSING: PBT POLYESTER UL94V-0
 MIXED GLASS FIBER.
 STANDARD COLOR-BLACK
 CONTACTS: 0.45mm DIA. PHOS-BRONZE
 PLATED WITH HARD GOLD.
 SHIELD: 0.25mm THICK COPPER ALLOY,
 PLATED WITH NICKEL.
 CAVITY CONFIRMS TO FCC RULES AND REGULATIONS
 PART 68,SUBPART F.

ORDER INFORMATION:
 MJK908-Pa881GfS-D
 MJK: MODULAR JACK
 908: SERIES NO.
 Pa: TERMINAL TYPE, PCB TYPE, RIGHT ANGLE
 88: NO. OF CONTACT, 8P8C
 1: COLOR OF PLASTIC, BLACK
 Gf: GOLD FLASH PLATING
 S: SHIELDED WITHOUT PANEL GROUNDING TAB
 D: 3.05mm,PLASTIC PEG IN THE FRONT

TOLERANCES UNLESS OTHERWISE SPECIFIED ±0.25			SIGNATURES		DATE	MODEL
DRAWN	AARON				16/FEB/06	TITLE
CHECKED	WENDY				16/FEB/06	MODULAR JACK
APPROVALS						NO.
						MJK908-Pa881GfS-D

Machrone