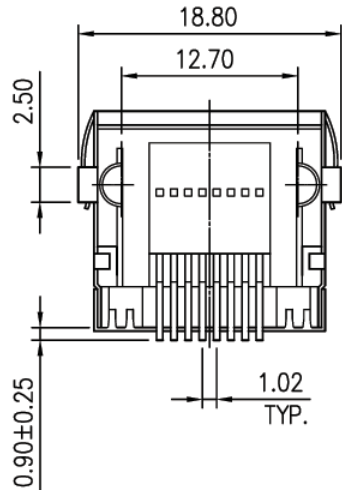
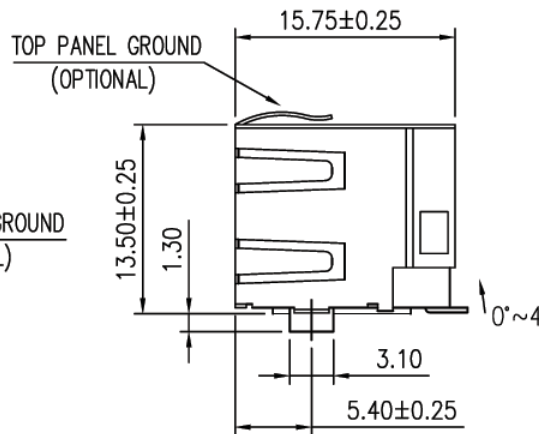
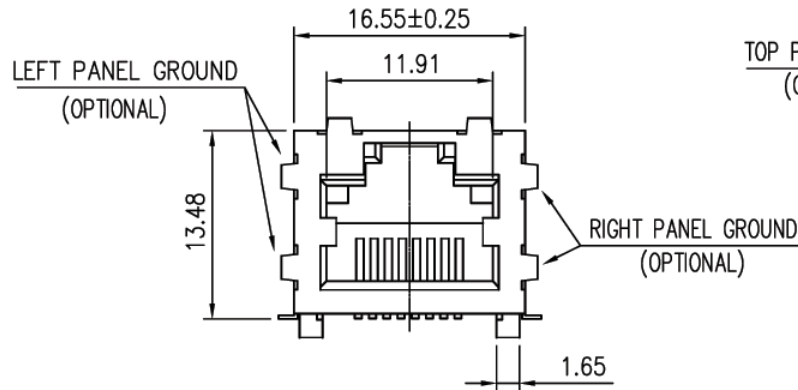
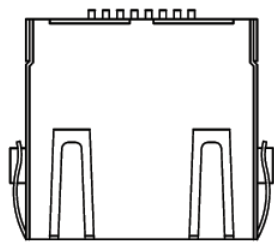
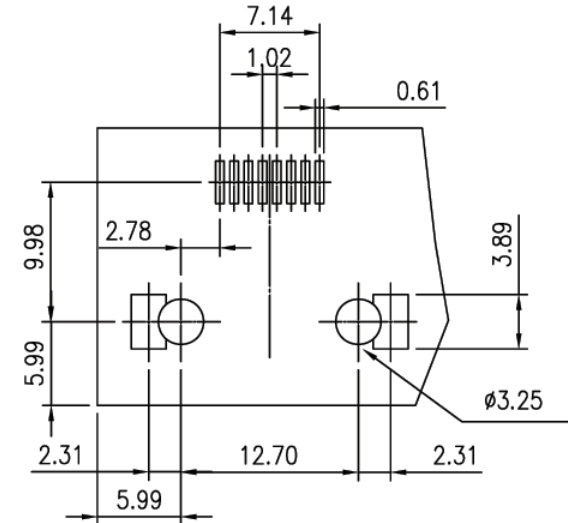


V1.1 NOTE: THIS DEVICE IS ROHS COMPLIANT.

REVISIONS							
SYM	DESCRIPTION	DATE	APPROVED	SYM	DESCRIPTION	DATE	APPROVED
△				△			
△				△			
**CUSTOMER DRAWING FOR REFERENCE ONLY, SAMPLES APPROVAL ARE REQUIRED!!							121



MATERIAL: HOUSING—DSM STANYL TE250F6 (NYLON-46)
 HEAT DEFLECTION TEMP.290°
 BLACK COLOR, UL94V-0
 CONTACTS—0.35mm THICK PHOS-BRONZE
 PLATED WITH HARD GOLD AND
 TIN/LEAD IN SOLDER AREA.
 SHIELD—0.25mm THICK COPPER ALLOY,
 PLATED WITH TIN/LEAD.
 CAVITY CONFIRMS TO FCC RULES AND REGULATIONS
 PART 68,SUBPART F.



PCB LAYOUT

ORDER INFORMATION:
 MJK756-Pa881GXSX
 MJK: MODULAR JACK
 756: SERIES NO.
 Rt: PCB TYPE, RIGHT ANGLE SURFACE MOUNT
 88: NO. OF CONTACT, 8P8C
 1: COLOR OF PLASTIC, BLACK
 GX: CONTACT PLATING
 Gf: GOLD FLASH
 Gft: GOLD FLASH ON CONTACT, TIN PLATING ON SOLDER TAIL
 G15t: 15u" GOLD ON CONTACT, TIN PLATING ON SOLDER TAIL
 G30t: 30u" GOLD ON CONTACT, TIN PLATING ON SOLDER TAIL
 G50t: 50u" GOLD ON CONTACT, TIN PLATING ON SOLDER TAIL
 SX: SHIELDED OPTION
 S: SHIELDED WITHOUT, PANEL GROUNDING TAB
 Sb: SHIELDED WITH PANEL GROUNDING TAB
 SbT: SHIELDED WITH TOP, PANEL GROUNDING TAB
 Sbt: SHIELDED WITH SIDE, PANEL GROUNDING TAB

TOLERANCES UNLESS OTHERWISE SPECIFIED ±0.30			SIGNATURES	DATE	MODEL
SYMBOL	UNIT	SCALE	DRAWN AARON	22/FEB/06'	TITLE
△	mm	1/1	CHECKED WENDY	22/FEB/06'	NO.
			APPROVALS		MJK756-Rt881G_S_
Machrone					