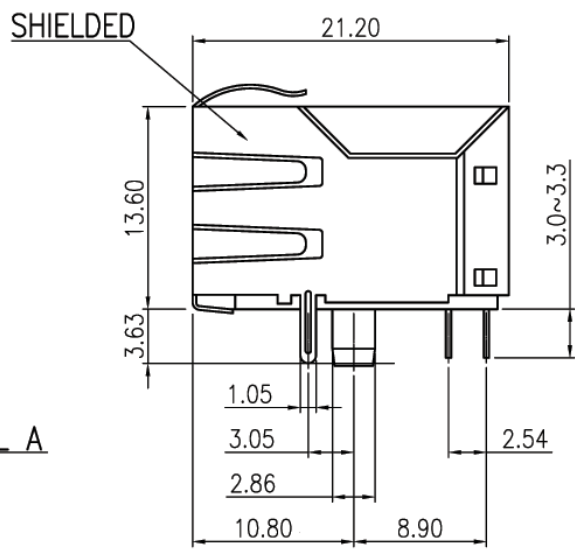
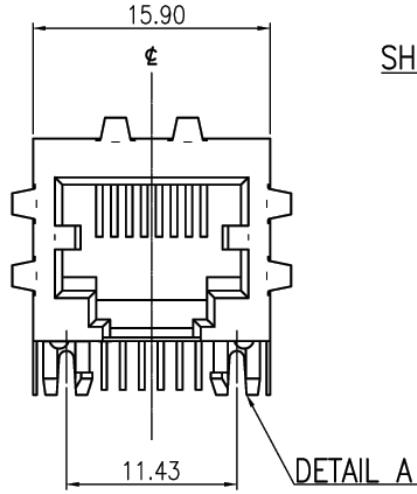
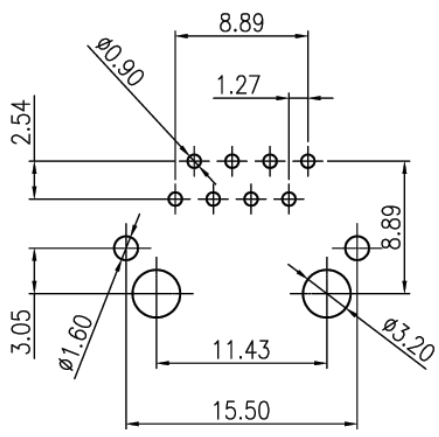


| REVISIONS | | | | | | | |
|-----------|-------------|------|----------|-----|-------------|------|----------|
| SYM | DISCRIPTION | DATE | APPROVED | SYM | DISCRIPTION | DATE | APPROVED |
| △ | | | | △ | | | |
| △ | | | | △ | | | |

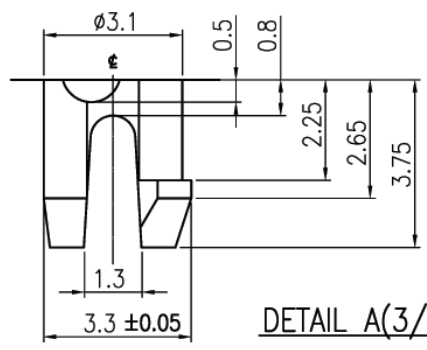
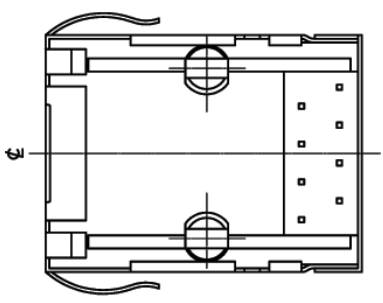


MATERIAL:
 HOUSING: PBT POLYESTER UL-94V-0. MIXED GLASS FIBER.
 STANDARD COLOR: BLACK
 TERMINAL: 0.35MM THICK PHOS-BRONZE
 PLATED WITH HARD GOLD AND TIN/LEAD IN SOLDER AREA
 SHIELD: t=0.25mm COPPER ALLOY, PLATED WITH NICKEL

ORDER INFORMATION:
 MJK747-Pa881GxtSb-E
 MJK: MODULAR JACK
 747: SERIES NO.
 Pa: PCB TYPE, RIGHT ANGLE
 88: NO. OF CONTACT, 8P8C
 1: COLOR OF PLASTIC, BLACK
 Gxt: CONTACT PLATING OPTION
 -Gft: GOLD FLUSH ON CONTACT, TIN PLATING ON SOLDER TAIL
 -G15t: 15u"GOLD ON CONTACT, TIN PLATING ON SOLDER TAIL
 -G30t: 30u"GOLD ON CONTACT, TIN PLATING ON SOLDER TAIL
 -G50t: 50u"GOLD ON CONTACT, TIN PLATING ON SOLDER TAIL
 Sb: SHIELDED WITH PANEL GROUNDING TAB
 E: 3.05mm, METAL PEG IN THE FRONT



P.C.B. LAYOUT



DETAIL A(3/1)

| | | | | | | |
|---|--|--|------------|-------|------------|---------------------|
| TOLERANCES UNLESS OTHERWISE SPECIFIED ±0.25 | | | SIGNATURES | | DATE | MODEL |
| | | | DRAWN | VIVI | 16/AUG/03' | TITLE |
| SYMBOL △ | | | UNIT | SCALE | APPROVALS | NO. |
| | | | mm | 3/1 | | MJK747-Pa881G_tSb-E |

Machrone