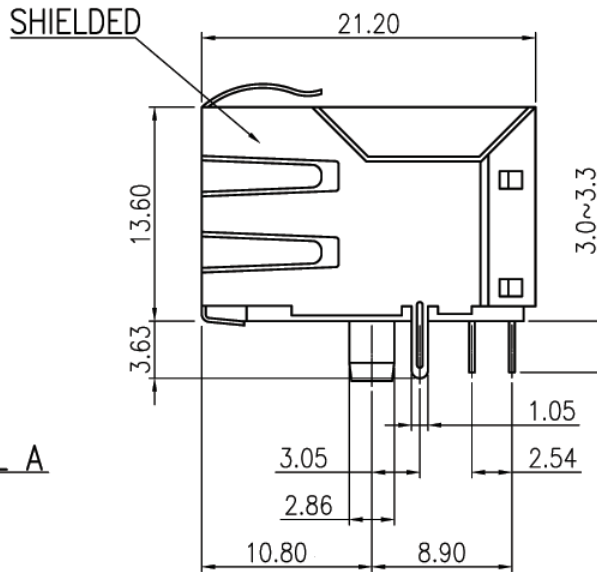
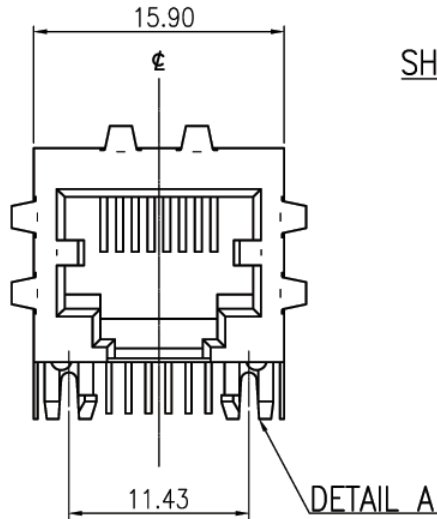


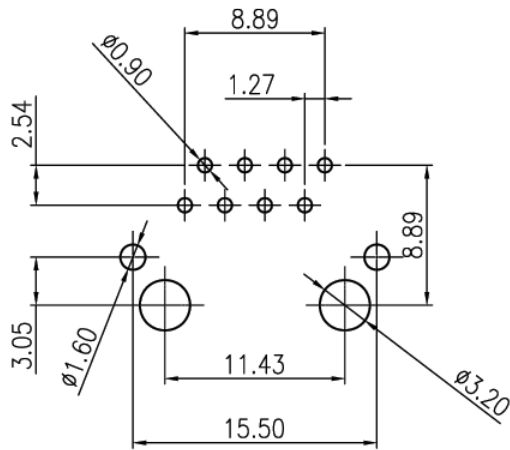
V1.1 NOTE: THIS DEVICE IS ROHS COMPLIANT.

REVISIONS							
SYM	DISCRIPTION	DATE	APPROVED	SYM	DISCRIPTION	DATE	APPROVED
△	NOTE ROHS STANDARD	01/MAR/06	AARON	△			
△				△			

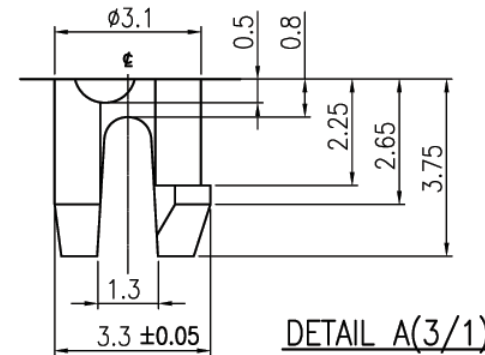
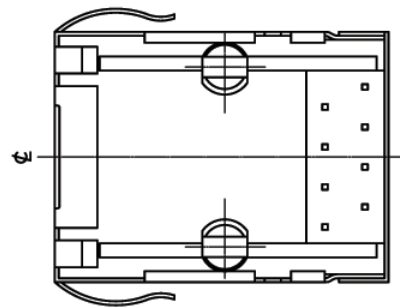


MATERIAL:
 HOUSING: PBT POLYESTER UL-94V-0. MIXED GLASS FIBER.
 STANDARD COLOR: BLACK
 TERMINAL: 0.35MM THICK PHOS-BRONZE
 PLATED WITH HARD GOLD AND TIN/LEAD IN SOLDER AREA
 SHIELD: t=0.25mm COPPER ALLOY, PLATED WITH NICKEL

ORDER INFORMATION:
 MJK747-Pa881GXtSb-D
 MJK: MODULAR JACK
 747: SERIES NO.
 Pa: PCB TYPE, RIGHT ANGLE
 88: NO. OF CONTACT, 8P8C
 1: COLOR OF PLASTIC, BLACK
 GXt: CONTACT PLATING OPTION
 -Gft: GOLD FLUSH ON CONTACT, TIN PLATING ON SOLDER TAIL
 -G15t: 15u" GOLD ON CONTACT, TIN PLATING ON SOLDER TAIL
 -G30t: 30u" GOLD ON CONTACT, TIN PLATING ON SOLDER TAIL
 -G50t: 50u" GOLD ON CONTACT, TIN PLATING ON SOLDER TAIL
 Sb: SHIELDED WITH PANEL GROUNDING TAB
 D: 3.05mm, PLASTIC PEG IN THE FRONT



P.C.B. LAYOUT



TOLERANCES UNLESS OTHERWISE SPECIFIED ±0.25			SIGNATURES		DATE	MODEL
SYMBOL	UNIT	SCALE	DRAWN	VIVI	16/AUG/03	TITLE
			CHECKED	ZOLA	16/AUG/03	NO.
			APPROVALS			MJK747-Pa881G_tSb-D

Machrone