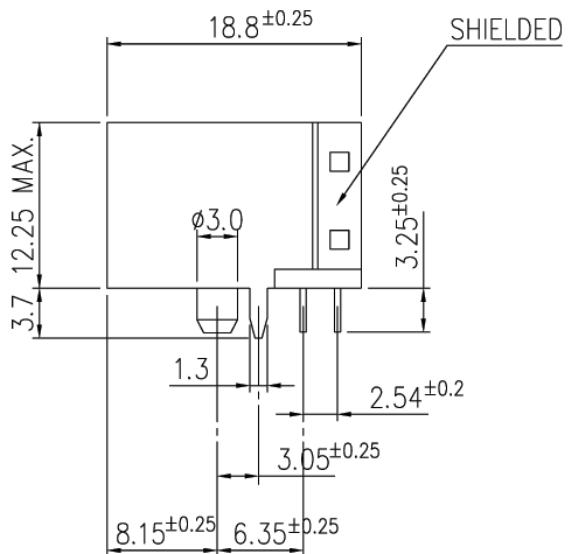
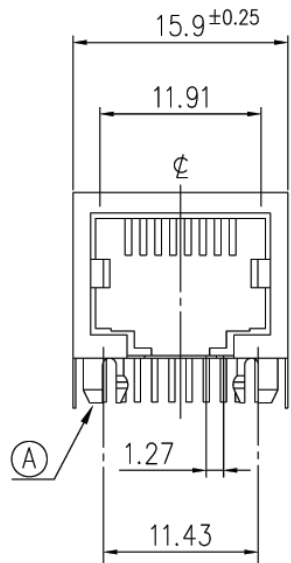


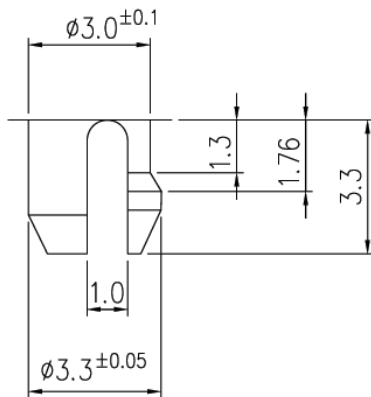
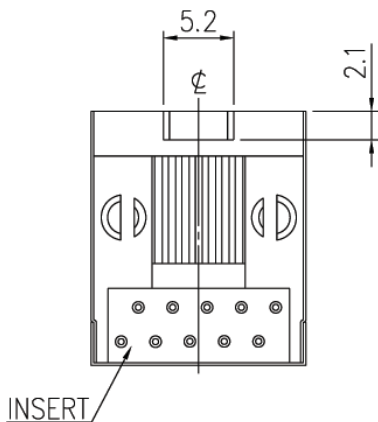
V1.1 NOTE: THIS DEVICE IS ROHS COMPLIANT.

REVISIONS							
SYM	DESCRIPTION	DATE	APPROVED	SYM	DESCRIPTION	DATE	APPROVED
△				△			
△				△			

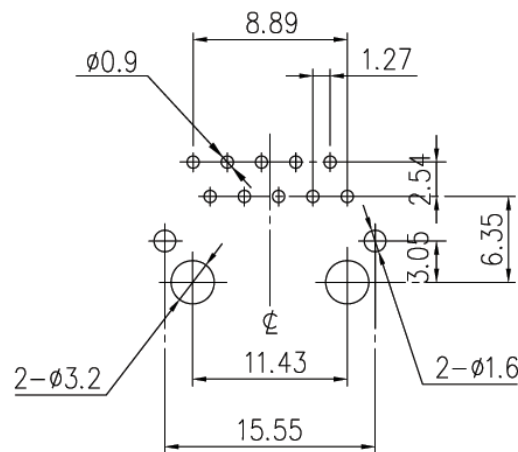
**CUSTOMER DRAWING FOR REFERENCE ONLY, SAMPLES APPROVAL ARE REQUIRED!! 000



MATERIAL
 HOUSING : PBT POLYESTER UL94V-0
 MIXED GLASS FIBER.
 STANDARD COLOR : BLACK
 CONTACTS : $\phi 0.45$ mm ROUND CONTACTS
 PHOSPHOR PLATED WITH HARD GOLD.
 SHIELD : $t0.25$ mm COPPER ALLOY.
 CAVITY CONFIRMS TO FCC RULES AND REGULATIONS
 PART 68, SUB PART F.



(A) DETAIL(6/1)



P.C.B. LAYOUT

TOLERANCES UNLESS OTHERWISE SPECIFIED ± 0.25			SIGNATURES		DATE	MODEL
			DRAWN	CONNIE	14/JUL/05'	TITLE MODULAR JACK
SYMBOL △			UNIT mm		SCALE 1/1	NO. MJK743-Pa001Gfts-D
			CHECKED SAM		14/JUL/05'	
APPROVALS						

Machrone