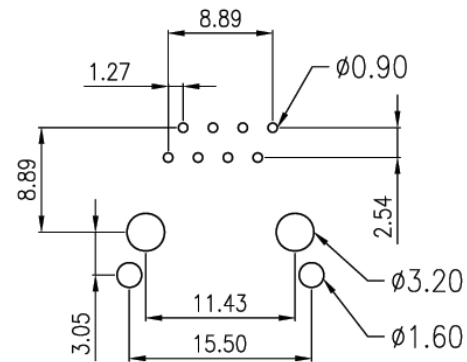
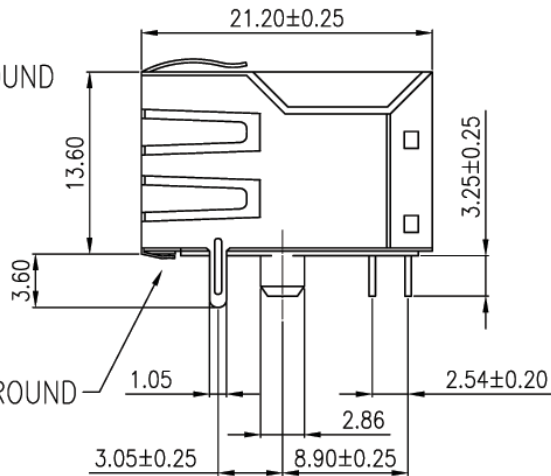
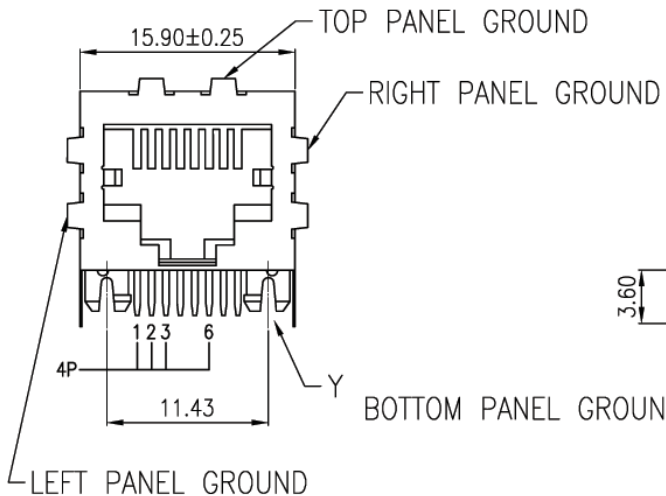
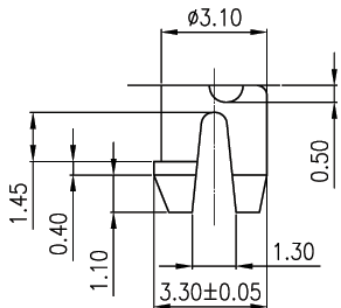
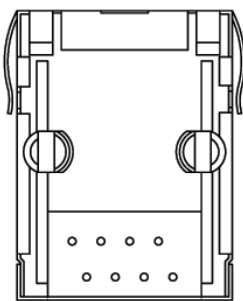


V1.1 NOTE: THIS DEVICE IS ROHS COMPLIANT.

| REVISIONS | | | | | | | |
|--|-------------|------|----------|-----|-------------|------|----------|
| SYM | DESCRIPTION | DATE | APPROVED | SYM | DESCRIPTION | DATE | APPROVED |
| △ | | | | △ | | | |
| △ | | | | △ | | | |
| **CUSTOMER DRAWING FOR REFERENCE ONLY, SAMPLES APPROVAL ARE REQUIRED!! | | | | | | | 121 |



PC BOARD LAYOUT



DETAIL Y

MATERIAL: HOUSING—PBT POLYESTER UL94V-0
 MIXED GLASS FIBER.
 STANDARD COLOR—BLACK
 CONTACTS—0.35mm THICK PHOS—BRONZE
 PLATED WITH HARD GOLD AND
 TIN/LEAD IN SOLDER AREA.
 SHIELD—0.25mm THICK COPPER ALLOY,
 PLATED WITH TIN/LEAD.
 CAVITY CONFIRMS TO FCC RULES AND REGULATIONS
 PART 68,SUBPART F.

ORDER INFORMATION:
 MJK742—Pa881GftSX—E
 MJK: MODULAR JACK
 742: SERIES NO.
 Pa: PCB TYPE, RIGHT ANGLE
 88: NO. OF CONTACT, 8P8C
 1: COLOR OF PLASTIC, BLACK
 Gft: GOLD FLASH ON CONTACT,
 TIN PLATING ON SOLDER TAIL
 SX: SHIELDED OPTION
 S: SHIELDED WITHOUT, PANEL GROUNDING TAB
 Sb: SHIELDED WITH PANEL GROUNDING TAB
 Sbt: SHIELDED WITH TOP, PANEL GROUNDING TAB
 E: 3.05mm, METAL PEG IN THE FRONT (OPTION)

| TOLERANCES UNLESS OTHERWISE SPECIFIED ±0.25 | | | SIGNATURES | | DATE | MODEL |
|---|------|-------|------------|--------|------------|----------------------|
| SYMBOL | UNIT | SCALE | DRAWN | CONNIE | 27/SEP/05' | TITLE |
| | | | CHECKED | WENDY | 27/SEP/05' | MODULAR JACK |
| | | | APPROVALS | | | NO. |
| △ | mm | 2/1 | | | | MJK742—Pa881Gft__—__ |

Machrone