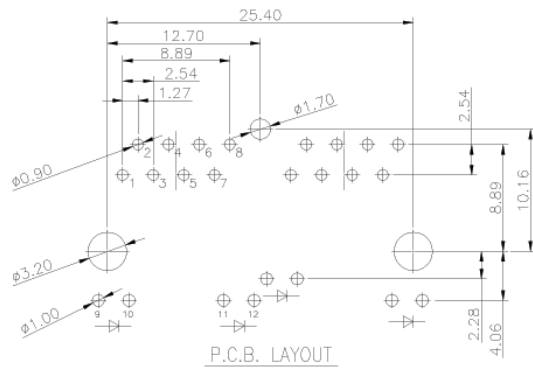
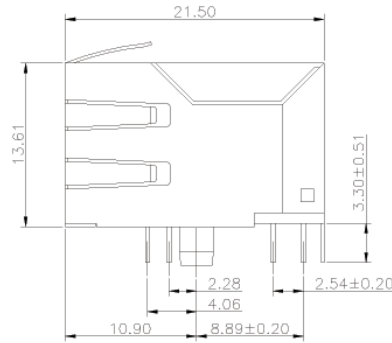
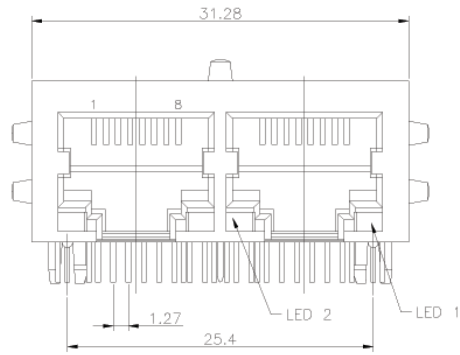


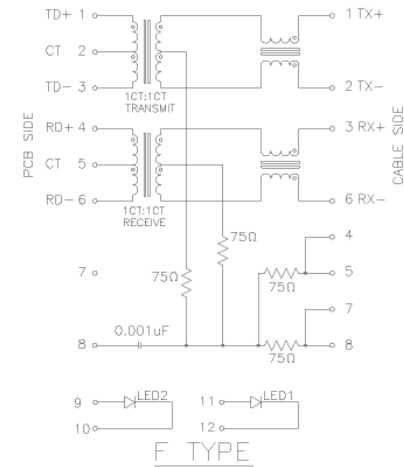
REVISIONS							
SYM	DESCRIPTION	DATE	APPROVED	SYM	DESCRIPTION	DATE	APPROVED
△				△			
△				△			



LX	LED2	LED1
L1	YELLOW	GREEN
L2	GREEN	GREEN
L3	GREEN	YELLOW
L5	GREEN	RED
L7	YELLOW	YELLOW

LED OPTIONS

ELECTRICAL SPECIFICATIONS:
 TURN RATIO: TRANSMIT=1CT:1CT±3%,RECEIVE=1CT:1CT±3%
 INDUCTANCE: (P6-P4): 350uH MIN@0.1V,100KHz,8mADC Bias
 (P3-P1): 350uH MIN@0.1V,100KHz,8mADC Bias
 LEAKAGE INDUCTANCE:
 P6-P4(WITH J6 AND J3 SHORT): 0.3uH MAX@100KHz,0.1V
 P3-P1(WITH J2 AND J1 SHORT): 0.3uH MAX@100KHz,0.1V
 INTERWINGING CAPACITANCE:
 (P6,P5,P4)TO(J6,J3): 30pF MAX@100KHz,0.1V
 (P3,P2,P1)TO(J2,J1): 30pF MAX@100KHz,0.1V
 DC RESISTANCE: (J6-J3)=(J2-J1):1.2 MAX
 RETURN LOSS(MIN):-18dB(1-30MHz),-12dB(60-80MHz)
 NOTE: 100 OHMS CONNECTED TO (J2-J1)OR(J6-J3)
 DIELECTRIC WITHSTAND: (J1,J2)TO(J6,J3): 1500VAC/0.5mA/2sec
 (J3,J6)TO(J4,J6): 1500VAC/0.5mA/2sec
 INSERTION LOSS: RS=RL=100 OHMS-1.1dB TYP(100KHz-100MHz)
 CROSS TALK: -35dB TYP(1MHz-100MHz)
 COMMON TO COMMON MODE ATTENUATION: -35dB TYP(30MHz-100MHz)



ORDER INFORMATION:
 MJK73TF-Pa881GftSb-2-LXB
 MJK: MODULAR JACK
 73TF: TRANSFORMER TYPE, TYPE F
 Pa: PCB TYPE, RIGHT ANGLE TYPE
 88: NO. OF CONTACT, 8P8C
 1: COLOR OF PLASTIC, BLACK
 Gft: GOLD FLASH ON CONTACT,
 TIN PLATING ON SOLDER TAIL
 Sb: SHIELDED WITH PANEL GROUNDING TAB
 2: 2 PORT
 LX: LED OPTIONS
 B : LED AT BOTTOM

TOLERANCES UNLESS OTHERWISE SPECIFIED ±0.30			SIGNATURES	DATE	MODEL
SYMBOL	UNIT	SCALE	DRAWN Frederick	26/MAY/05	TITLE
△	mm	3/1	CHECKED Sam	26/MAY/05	NO. MODULAR-JACK
			APPROVALS		MJK73TF-Pa881GftSb-2-LXB

Machrone