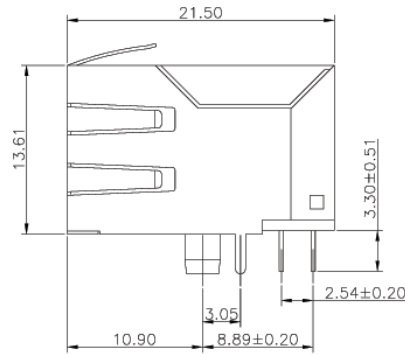
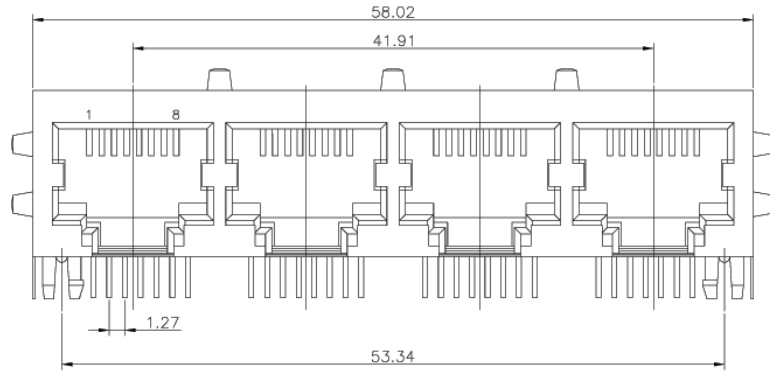
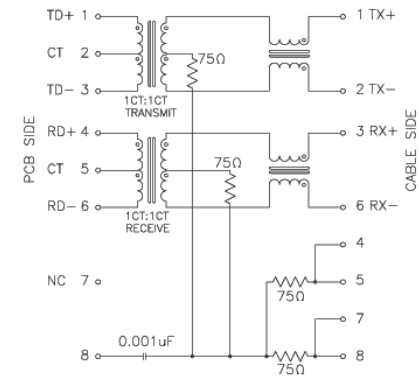
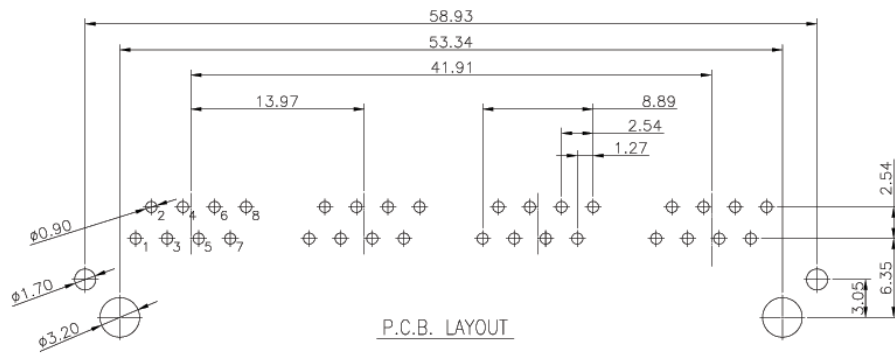


REVISIONS							
SYM	DESCRIPTION	DATE	APPROVED	SYM	DESCRIPTION	DATE	APPROVED
△				△			
△				△			



ORDER INFORMATION:
 MJK73TA-Pa881GftSb-4
 MJK: MODULAR JACK
 73TA: TRANSFORMER TYPE, TYPE A
 Pa: PCB TYPE, RIGHT ANGLE TYPE
 88: NO. OF CONTACT, 8P8C
 1: COLOR OF PLASTIC, BLACK
 Gft: GOLD FLASH ON CONTACT,
 TIN PLATING ON SOLDER TAIL
 Sb: SHIELDED WITH PANEL GROUNDING TAB
 4: 4 PORT



ELECTRICAL SPECIFICATIONS:
 TURN RATIO: TRANSMIT=1CT:1CT±5%,RECEIVE=1CT:1CT±5%
 350uH MINIMUM COL WITH 8mA BIAS CURRENT
 TAB OPTION: DOWN
 INSERTION LOSS (dB TYP 0.1-100MHz):-1.2(0.1-100MHz)
 RETURN LOSS(dB TYP@100 OHM):
 -18dB(1-10MHz), -16dB(30MHz), -12dB(60-80MHz),
 CROSS TALK(dB TYP):-40dB(1-10MHz), -35dB(30-60MHz), -30dB(60-100MHz)
 COMMON MODE REJECTION (dB TYP): -30(1-50MHz), -20(50-130MHz)
 HIPOT TEST:1500Vrms/1MIN.

TOLERANCES UNLESS OTHERWISE SPECIFIED ±0.30			SIGNATURES		DATE	MODEL
			DRAWN Frederick		06/DEC/04'	TITLE
			CHECKED Sam		06/DEC/04'	MODULAR-JACK
SYMBOL			APPROVALS		NO. MJK73TA-Pa881GftSb-4	
△	mm	SCALE 3/1				

Machrone