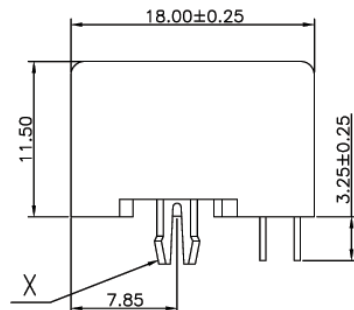
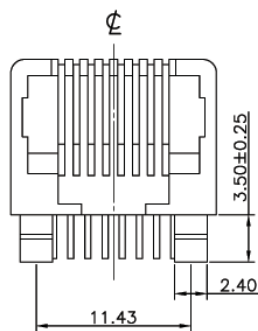
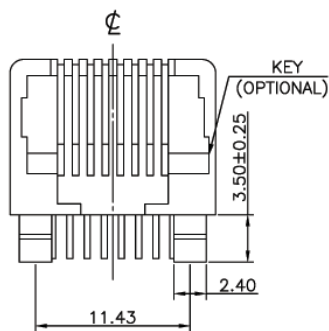


V1-1 NOTE: THIS DEVICE IS ROHS COMPLIANT.

REVISIONS							
SYM	DESCRIPTION	DATE	APPROVED	SYM	DESCRIPTION	DATE	APPROVED
△	NOTE ROHS STANDARD	30/JUN/05	CONNIE	△			
△				△			

****CUSTOMER DRAWING FOR REFERENCE ONLY, SAMPLES APPROVAL ARE REQUIRED!!**



MATERIAL

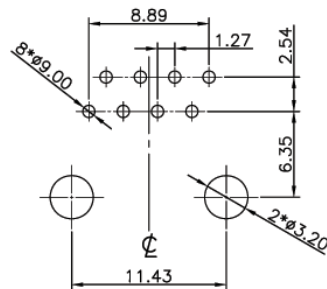
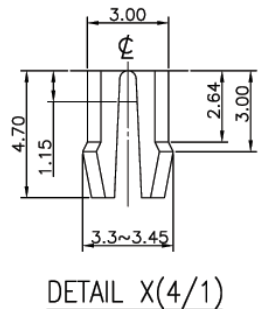
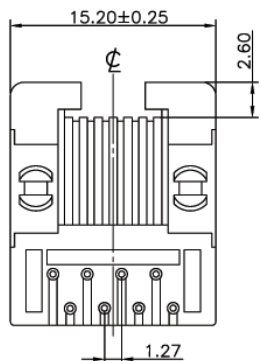
HOUSING : PBT POLYESTER UL94V-0 MIXED GLASS FIBER. STANDARD COLOR : BLACK

CONTACTS : Ø0.45mm ROUND CONTACTS PHOSPHOR BRONZE PLATED WITH HARD GOLD.

CAVITY CONFIRMS TO FCC RULES AND REGULATIONS PART 68, SUB PART F.

ORDER INFORMATION:

- MJK694-Pa881Gft-X
- MJK: MODULAR JACK
- 694: SERIES NO.
- Pa: PCB TYPE, RIGHT ANGLE MOUNT TYPE
- 88: NO. OF CONTACT, 8P8C
- 1: COLOR OF PLASTIC, BLACK
- Gft: GOLD FLASH ON CONTACT, TIN PLATING ON SOLDER TAIL
- X: KEY OPTIONAL
- BLANK : WITHOUT KEY
- K: WITH KEY



P.C.B. LAYOUT

TOLERANCES UNLESS OTHERWISE SPECIFIED ±0.25	SIGNATURES		DATE	MODEL
	DRAWN	Frederick	30/JUN/05	TITLE
	CHECKED	Sam	30/JUN/05	NO.
SYMBOL	UNIT	SCALE	APPROVALS	
△	mm	1/1		

Machrone