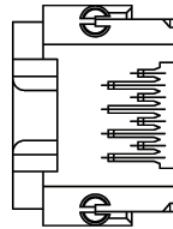
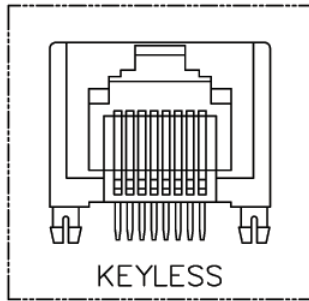
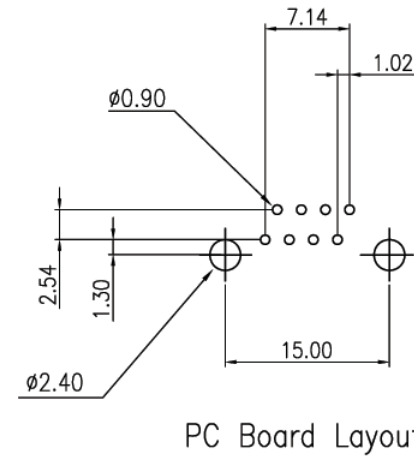
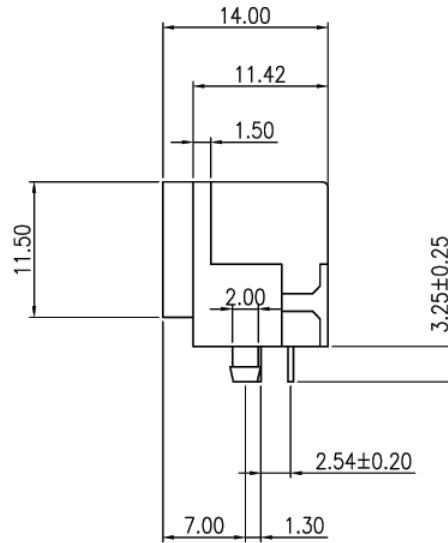
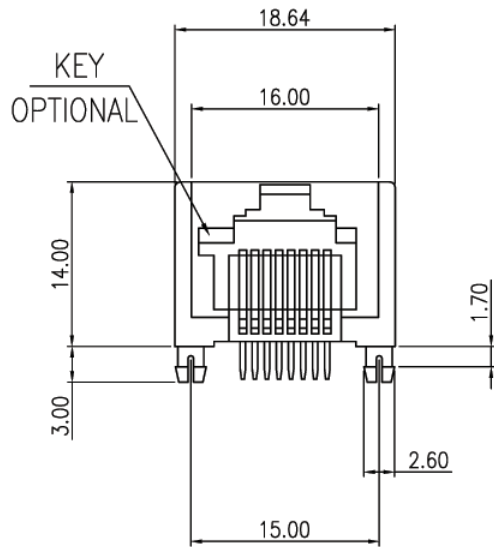


V1-1 NOTE: THIS DEVICE IS ROHS COMPLIANT.

REVISIONS							
SYM	DISCRIPTION	DATE	APPROVED	SYM	DISCRIPTION	DATE	APPROVED
△				△			
△				△			
**CUSTOMER DRAWING FOR REFERENCE ONLY, SAMPLES APPROVAL ARE REQUIRED!!							121



MATERIAL:
 HOUSING: PBT POLYESTER UL-94V-0. MIXED GLASS FIBER.
 STANDARD COLOR: GREEN-GRAY
 TERMINAL: 0.45MM DIAMETER PHOS-BRONZE PLATED WITH HARD GOLD

ORDER INFORMATION:
 MJK676-Pa88XGX-X
 MJK: MODULAR JACK
 676: SERIES NO.
 Pa: TERMINAL TYPE, PCB TYPE, RIGHT ANGLE
 88: NO. OF CONTACT, 8P8C
 X: COLOR OF PLASTIC
 0: GREEN-GRAY
 1: BLACK (ONLY KEYLESS)
 GX: CONTACT PLATING OPTION
 -Gf: GOLD FLASH ON CONTACT
 -G15: 15u" GOLD ON CONTACT
 -G30: 30u" GOLD ON CONTACT
 -G50: 50u" GOLD ON CONTACT
 X: KEY OPTION
 BLANK: WITHOUT KEY
 K: WITH KEY

TOLERANCES UNLESS OTHERWISE SPECIFIED ±0.25			SIGNATURES		DATE	MODEL
SYMBOL	UNIT	SCALE	DRAWN	SNOW	24/AUG/06'	TITLE
			CHECKED	KEN	24/AUG/06'	NO.
			APPROVALS			MJK676-Pa88_G_--

Machrone