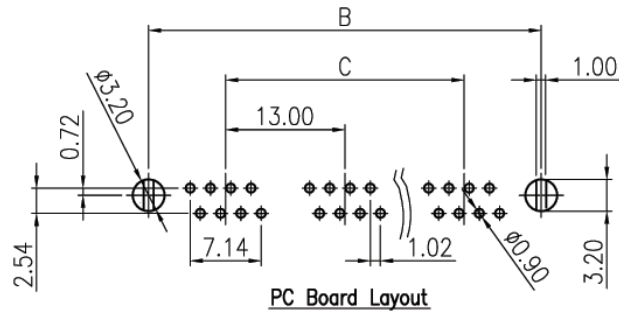
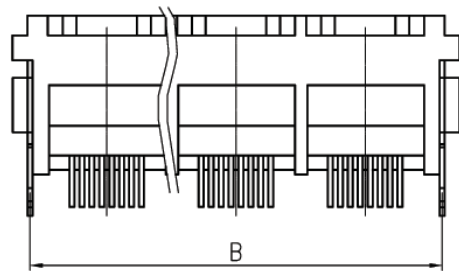
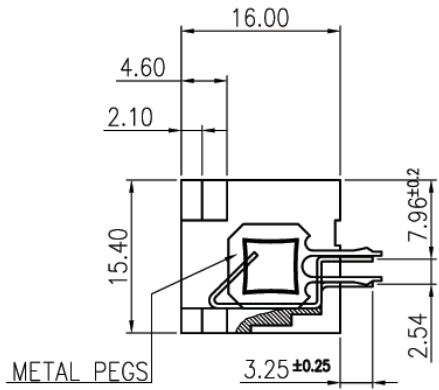
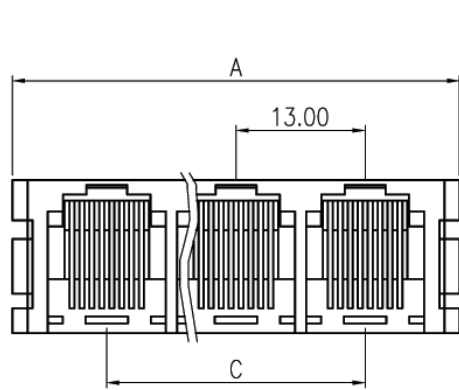


REVISIONS							
SYM	DISCRIPTION	DATE	APPROVED	SYM	DISCRIPTION	DATE	APPROVED
△				△			
△				△			



MATERIAL:
 HOUSING: PBT POLYESTER UL-94V-0. MIXED GLASS FIBER.
 STANDARD COLOR: GRAY, OPTION COLOR: BLACK
 TERMINAL: 0.45MM THICK PHOS-BRONZE
 PLATED WITH HARD GOLD AND TIN/LEAD IN SOLDER AREA
 METAL PEG: 0.50MM THICK PHOS-BRONZE PLATED WITH TIN/LEAD

ORDER INFORMATION:
 MJK660-P88GXXXF-X
 MJK: MODULAR JACK
 660: SERIES NO.
 P: PCB TYPE, STRAIGHT
 88: NO. OF CONTACT, 8P8C
 X: COLOR OF PLASTIC
 -0: GRAY (STANDARD)
 -1: BLACK (OPTION)
 GXXX: CONTACT PLATING OPTION
 -Gf: GOLD FLUSH
 -Gft: GOLD FLUSH ON CONTACT, TIN PLATING ON SOLDER TAIL
 -G15t: 15u" GOLD ON CONTACT, TIN PLATING ON SOLDER TAIL
 -G30t: 30u" GOLD ON CONTACT, TIN PLATING ON SOLDER TAIL
 -G50t: 50u" GOLD ON CONTACT, TIN PLATING ON SOLDER TAIL
 F: FLANGED(OPTION)
 X: NO. OF PORTS

DIMENSION	NO. OF PORTS			
	1	2	3	4
A	19.28	32.28	45.28	58.28
B	16.00	29.00	42.00	55.00
C	---	13.00	26.00	39.00

TOLERANCES UNLESS OTHERWISE SPECIFIED ±0.25			SIGNATURES		DATE	MODEL
SYMBOL	UNIT	SCALE	DRAWN	JENNY	26/MAR/03'	TITLE
			CHECKED	ZOLA	26/MAR/03'	MODULAR JACK
			APPROVALS			NO.
△	mm	2/1				MJK660-P88_G___F--

Machrone