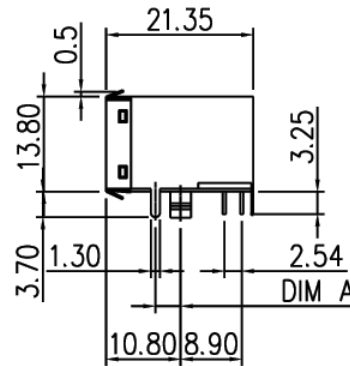
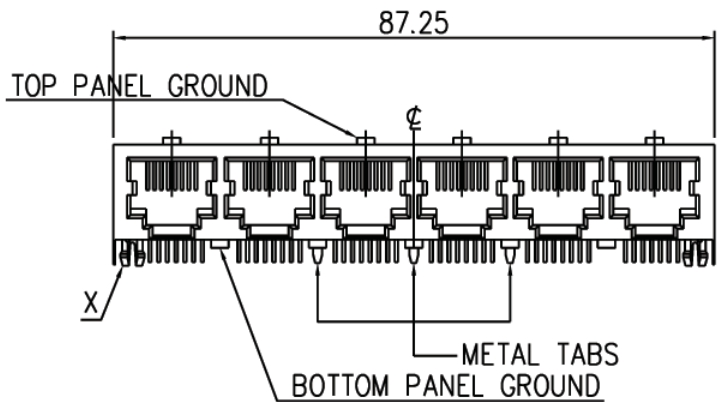


V1.1 NOTE: THIS DEVICE IS ROHS COMPLIANT.

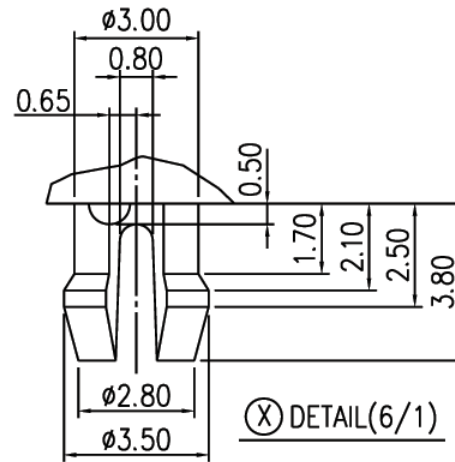
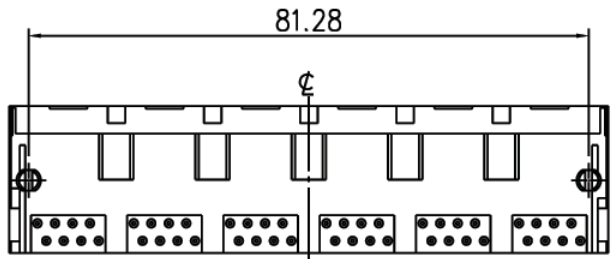
REVISIONS							
SYM	DESCRIPTION	DATE	APPROVED	SYM	DISCRIPTION	DATE	APPROVED
△	NOTE ROHS STANDARD	18/MAY/06	AARON	△			
△				△			

****CUSTOMER DRAWING FOR REFERENCE ONLY, SAMPLES APPROVAL ARE REQUIRED!!**



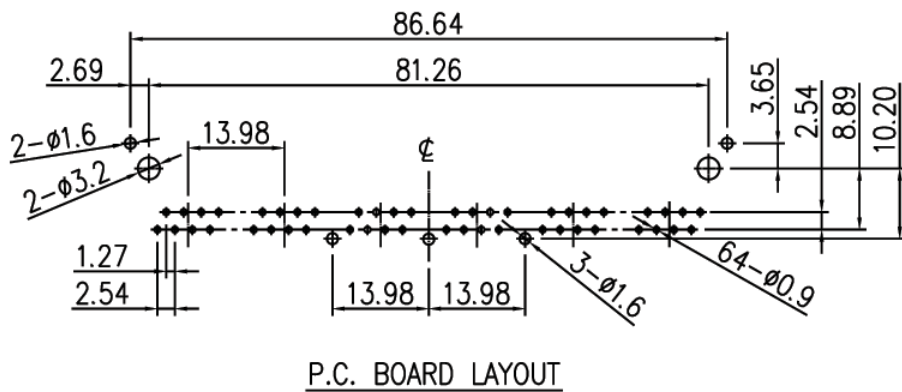
MATERIAL

HOUSING : PBT POLYESTER UL94V-0
 FIBER. STANDARD COLOR : BLACK
 CONTACTS : $\phi 0.45$ mm PHOSPHOR BRONZE
 PLATED WITH HARD GOLD.
 METAL SHIELD : 0.25mm COPPER ALLOY.
 PLATED WITH NICKEL.
 CAVITY CONFIRMS TO FCC RULES AND REGULATIONS
 PART 68,SUB PART F.



ORDER INFORMATION:

MJK648-Pa881GftSbTB-6A
 MJK: MODULAR JACK
 648: SERIES NO.
 Pa: PCB TYPE, RIGHT ANGLE TYPE
 88: NO. OF CONTACT, 8P8C
 1: COLOR OF PLASTIC, BLACK
 Gft: GOLD FLASH ON CONTACT,
 TIN PLATING ON SOLDER TAIL
 SbTB: SHIELDING OPTION,
 WITH TOP AND BOTTOM PANEL GROUNDING TAB
 6: 6 OF PORTS
 A: DIM A=4.57 mm,
 METAL PEG IN THE FRONT



TOLERANCES UNLESS OTHERWISE SPECIFIED			SIGNATURES	DATE	MODEL
±0.25			DRAWN Frederick	18/AUG/04	TITLE
			CHECKED Sam	18/AUG/04	MODULAR JACK
SYMBOL	UNIT	SCALE	APPROVALS		NO.
△	mm	1/1			MJK648-Pa881GftSbTB-6A

Machrone