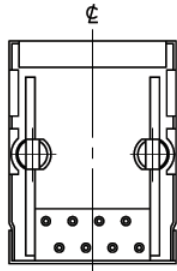
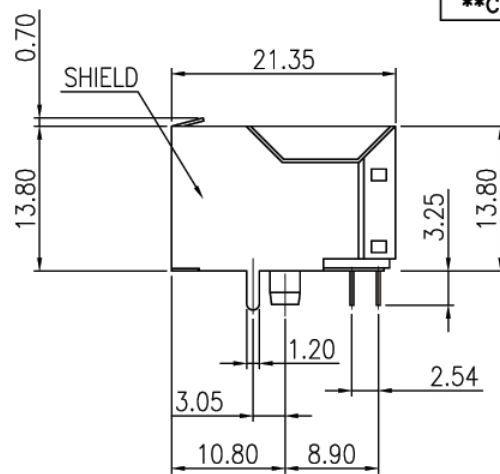
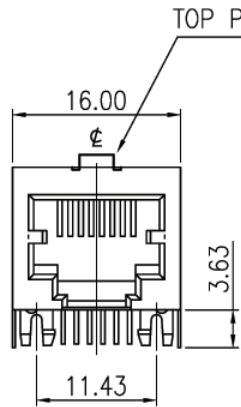


V1.1 NOTE: THIS DEVICE IS ROHS COMPLIANT.

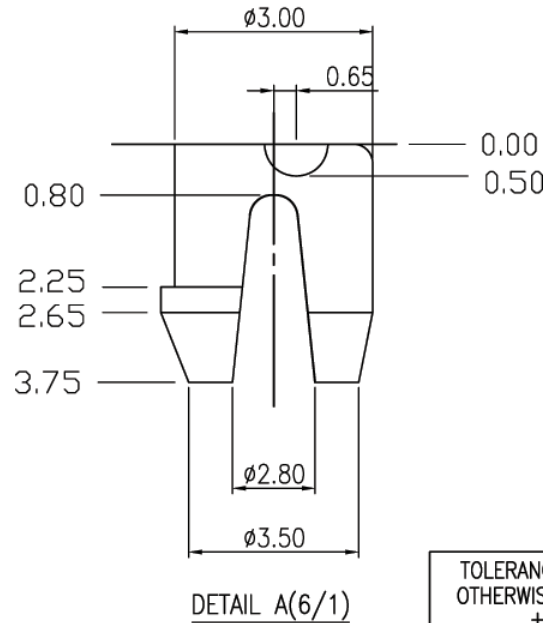
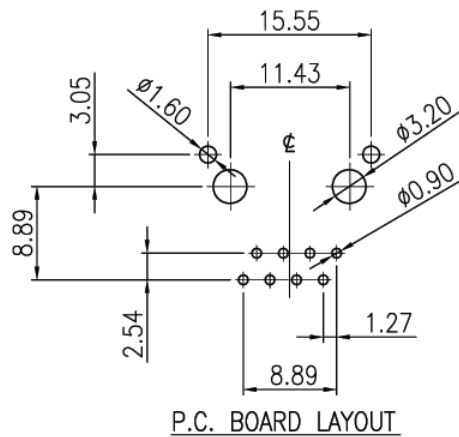
| REVISIONS | | | | | | | |
|-----------|--------------------|------------|----------|-----|-------------|------|----------|
| SYM | DISCRIPTION | DATE | APPROVED | SYM | DISCRIPTION | DATE | APPROVED |
| △ | NOTE ROHS STANDARD | 18/MAY/06' | AARON | △ | | | |
| △ | | | | △ | | | |

****CUSTOMER DRAWING FOR REFERENCE ONLY, SAMPLES APPROVAL ARE REQUIRED!!**



MATERIALS:
 HOUSING: PBT POLYESTER UL94V-0 MIXED GLASS FIBER.
 STANDARD COLOR : BLACK.
 CONTACTS: Ø0.45mm PHOS-BRONZE PLATED WITH HARD GOLD.
 METAL SHIELD: 0.25mm THICK COPPER ALLOY. PLATED WITH NICKEL.
 CAVITY CONFIRMS TO FCC RULES AND REGULATIONS PART 68, SUB PART F.

ORDER INFORMATION:
 MJK648-Pa881GXSX-E
 MJK: MODULAR JACK
 648: SERIES NO.
 Pa: TERMINAL TYPE, PCB TYPE, RIGHT ANGLE
 88: NO. OF CONTACT, 8P8C
 1: COLOR OF PLASTIC, BLACK
 GX: CONTACT PLATING
 Gf: GOLD FLASH
 Gft: GOLD FLASH ON CONTACT, TIN PLATED ON SOLDER TAIL
 G15: 15u" GOLD ON CONTACT
 G30: 30u" GOLD ON CONTACT
 G50: 50u" GOLD ON CONTACT
 SX: SHIELDED OPTION
 S: SHIELDED WITHOUT, PANEL GROUNDING TAB
 SbT: SHIELDED WITH TOP PANEL GROUNDING TAB
 E: DIM E=3.05mm, METAL PEG IN THE FRONT



| TOLERANCES UNLESS OTHERWISE SPECIFIED ±0.25 | | | SIGNATURES | | DATE | MODEL |
|---|------|-------|------------|------|------------|--------------------|
| SYMBOL | UNIT | SCALE | DRAWN | VIVI | 21/NOV/03' | TITLE |
| | | | CHECKED | ZOLA | 21/NOV/03' | NO. |
| | | | APPROVALS | | | MJK648-Pa881G_S_-E |

Machrone