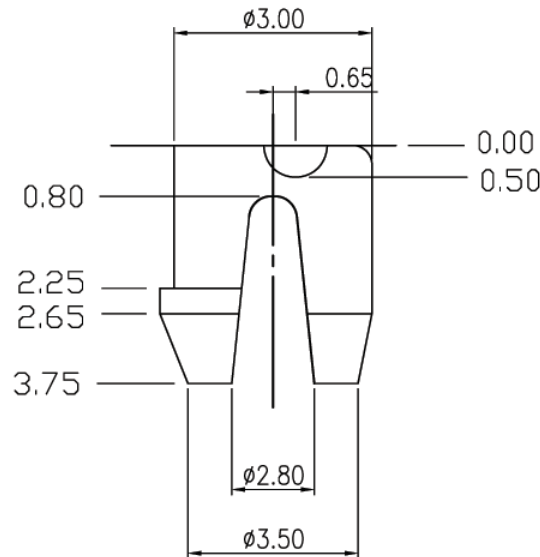
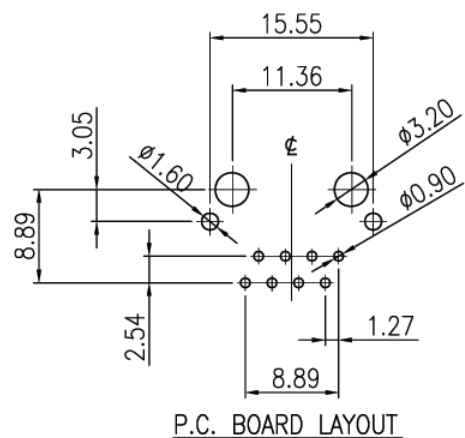
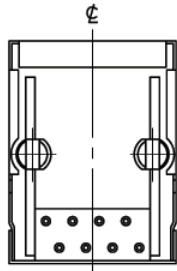
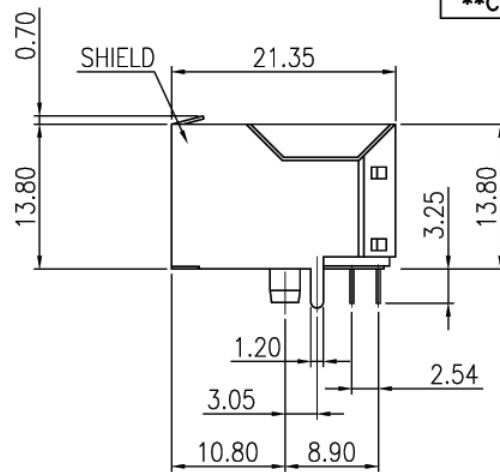
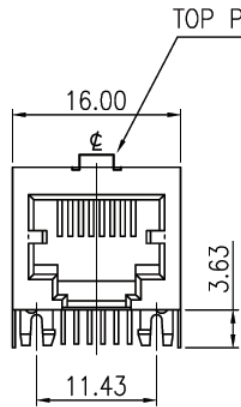


V1.1 NOTE: THIS DEVICE IS ROHS COMPLIANT.

REVISIONS							
SYM	DISCRIPTION	DATE	APPROVED	SYM	DISCRIPTION	DATE	APPROVED
△	NOTE ROHS STANDARD	18/MAY/06'	AARON	△			
△				△			

****CUSTOMER DRAWING FOR REFERENCE ONLY, SAMPLES APPROVAL ARE REQUIRED!!**



MATERIALS:
 HOUSING: PBT POLYESTER UL94V-0 MIXED GLASS FIBER.
 STANDARD COLOR : BLACK.
 CONTACTS: $\phi 0.45$ mm PHOS-BRONZE PLATED WITH HARD GOLD.
 METAL SHIELD: 0.25mm THICK COPPER ALLOY. PLATED WITH NICKEL.
 CAVITY CONFIRMS TO FCC RULES AND REGULATIONS PART 68, SUB PART F.

ORDER INFORMATION:
 MJK648-Pa881GXS-D
 MJK: MODULAR JACK
 648: SERIES NO.
 Pa: TERMINAL TYPE, PCB TYPE, RIGHT ANGLE
 88: NO. OF CONTACT, 8P8C
 1: COLOR OF PLASTIC, BLACK
 GX: CONTACT PLATING
 Gf: GOLD FLASH
 Gft: GOLD FLASH ON CONTACT, TIN PLATED ON SOLDER TAIL
 G15: 15u" GOLD ON CONTACT
 G30: 30u" GOLD ON CONTACT
 G50: 50u" GOLD ON CONTACT
 SX: SHIELDED OPTION
 S: SHIELDED WITHOUT, PANEL GROUNDING TAB
 SbT: SHIELDED WITH TOP PANEL GROUNDING TAB
 D: DIM D=3.05mm, PLASTIC PEG IN THE FRONT

TOLERANCES UNLESS OTHERWISE SPECIFIED ± 0.25			SIGNATURES		DATE	MODEL
SYMBOL	UNIT	SCALE	DRAWN	VIVI	21/NOV/03'	TITLE
			CHECKED	ZOLA	21/NOV/03'	NO.
			APPROVALS			MJK648-Pa881G_S_-D
Machrone						