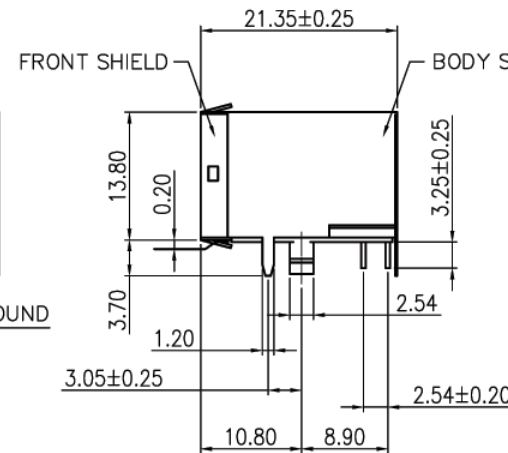
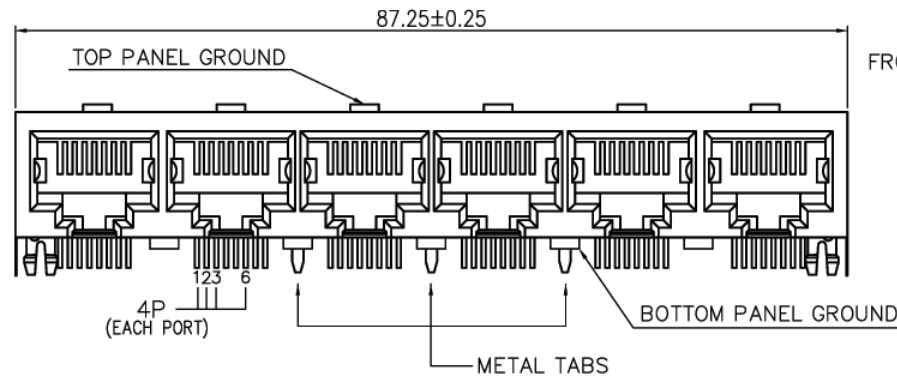


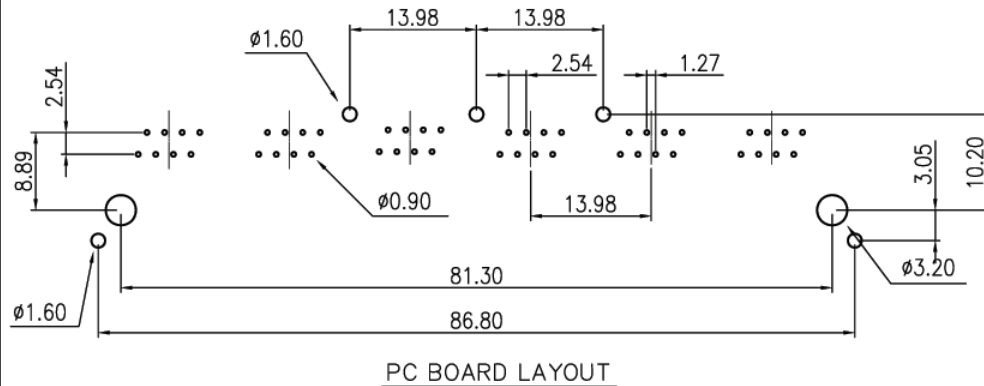
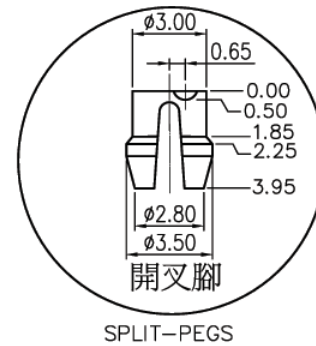
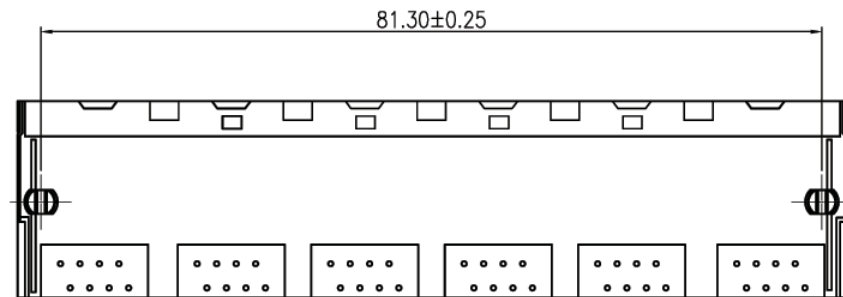
V1.1 NOTE: THIS DEVICE IS ROHS COMPLIANT.

REVISIONS							
SYM	DESCRIPTION	DATE	APPROVED	SYM	DESCRIPTION	DATE	APPROVED
△				△			
△				△			
**CUSTOMER DRAWING FOR REFERENCE ONLY, SAMPLES APPROVAL ARE REQUIRED!!							121



MATERIAL:  
 HOUSING: PBT POLYESTER UL94V-0  
 MIXED GLASS FIBER.  
 STANDARD COLOR-BLACK  
 CONTACTS: 0.45mm DIA. ROUND CONTACTS  
 PHOS-BRONZE PLATED WITH HARD GOLD.  
 METAL SHIELD: 0.25mm THICK COPPER ALLOY,  
 PLATED WITH NICKEL.  
 CAVITY CONFIRMS TO FCC RULES AND REGULATIONS  
 PART 68,SUBPART F.

ORDER INFORMATION:  
 MJK648-Pa881GXSX-6E  
 MJK: MODULAR JACK  
 648: SERIES NO.  
 Pa: PCB TYPE, RIGHT ANGLE TYPE  
 88: NO. OF CONTACT, 8P8C  
 1: COLOR OF PLASTIC, BLACK  
 GX: CONTACT PLATING OPTION  
 -Gf: GOLD FLASH  
 -Gft: GOLD FLASH ON CONTACT, TIN PLATING ON SOLDER TAIL  
 -G15t: 15u" GOLD ON CONTACT, TIN PLATING ON SOLDER TAIL  
 -G30t: 30u" GOLD ON CONTACT, TIN PLATING ON SOLDER TAIL  
 -G50t: 50u" GOLD ON CONTACT, TIN PLATING ON SOLDER TAIL  
 SX: SHIELDED OPTION  
 S: SHIELDED WITHOUT, PANEL GROUNDING TAB  
 SbtB: SHIELDED WITH TOP AND BOTTOM PANEL GROUNDING TAB  
 6: 6 OF PORTS  
 E: DIM E= 3.05 mm,METAL PEG IN THE FRONT



TOLERANCES UNLESS OTHERWISE SPECIFIED ±0.25			SIGNATURES	DATE	MODEL
DRAWN	AARON			19/MAY/06'	TITLE
CHECKED	WENDY			19/MAY/06'	MODULAR JACK
APPROVALS					NO.
					MJK648-Pa881G_S_-6E

**Machrone**