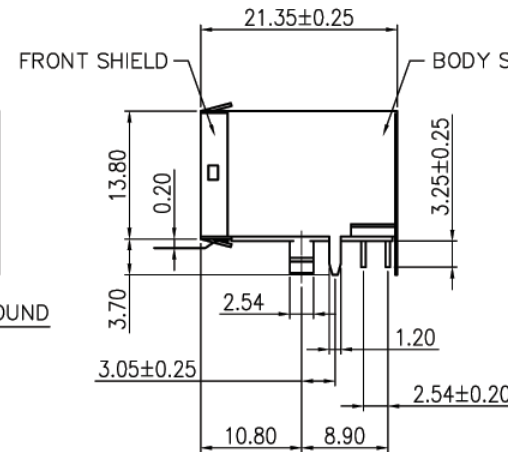
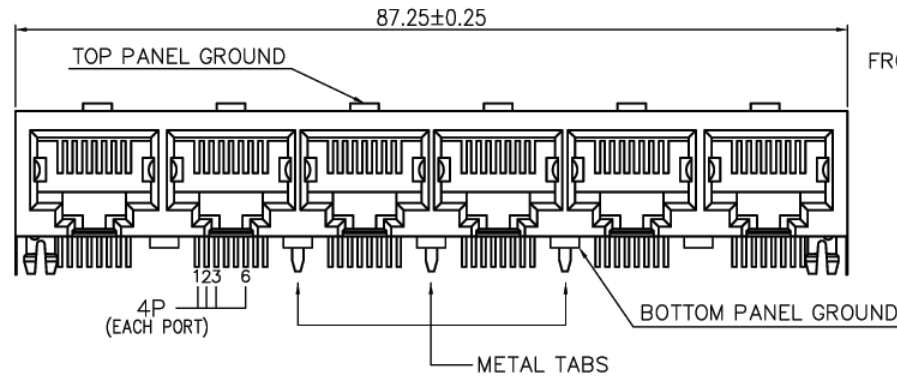


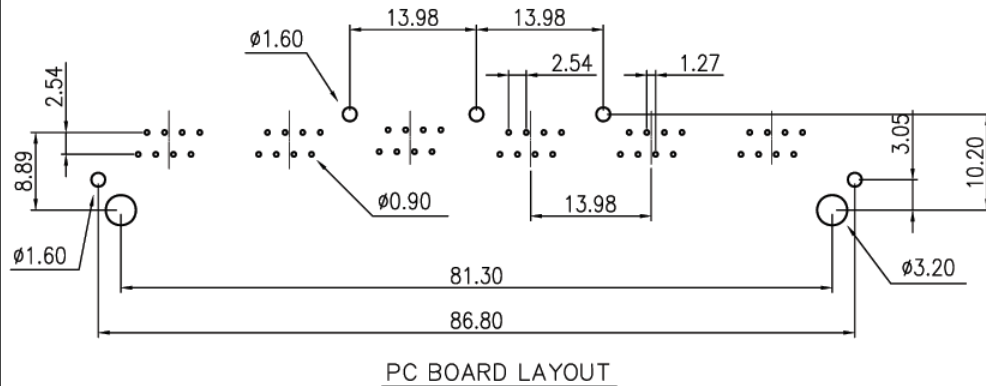
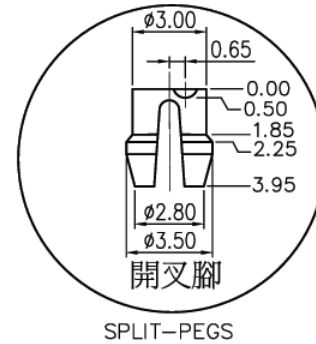
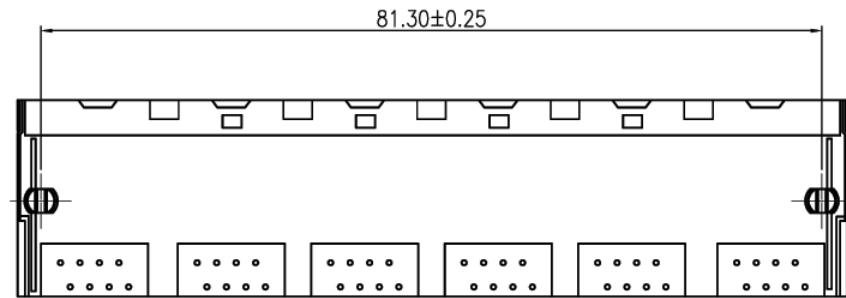
V1.1 NOTE: THIS DEVICE IS ROHS COMPLIANT.

REVISIONS							
SYM	DESCRIPTION	DATE	APPROVED	SYM	DESCRIPTION	DATE	APPROVED
△				△			
△				△			
**CUSTOMER DRAWING FOR REFERENCE ONLY, SAMPLES APPROVAL ARE REQUIRED!!							121



MATERIAL:
 HOUSING: PBT POLYESTER UL94V-0
 MIXED GLASS FIBER.
 STANDARD COLOR-BLACK
 CONTACTS: 0.45mm DIA. ROUND CONTACTS
 PHOS-BRONZE PLATED WITH HARD GOLD.
 METAL SHIELD: 0.25mm THICK COPPER ALLOY,
 PLATED WITH NICKEL.
 CAVITY CONFIRMS TO FCC RULES AND REGULATIONS
 PART 68,SUBPART F.

ORDER INFORMATION:
 MJK648-Pa881GXSX-6D
 MJK: MODULAR JACK
 648: SERIES NO.
 Pa: PCB TYPE, RIGHT ANGLE TYPE
 88: NO. OF CONTACT, 8P8C
 1: COLOR OF PLASTIC, BLACK
 GX: CONTACT PLATING OPTION
 -Gf: GOLD FLASH
 -Gft: GOLD FLASH ON CONTACT, TIN PLATING ON SOLDER TAIL
 -G15t: 15u" GOLD ON CONTACT, TIN PLATING ON SOLDER TAIL
 -G30t: 30u" GOLD ON CONTACT, TIN PLATING ON SOLDER TAIL
 -G50t: 50u" GOLD ON CONTACT, TIN PLATING ON SOLDER TAIL
 SX: SHIELDED OPTION
 S: SHIELDED WITHOUT, PANEL GROUNDING TAB
 SbtB: SHIELDED WITH TOP AND BOTTOM PANEL GROUNDING TAB
 6: 6 OF PORTS
 D: DIM D=3.05 mm, PLASTIC PEG IN THE FRONT



TOLERANCES UNLESS OTHERWISE SPECIFIED ±0.25			SIGNATURES	DATE	MODEL
DRAWN	AARON			19/MAY/06'	TITLE
CHECKED	WENDY			19/MAY/06'	MODULAR JACK
APPROVALS					NO.
					MJK648-Pa881G_S_-6D

Machrone