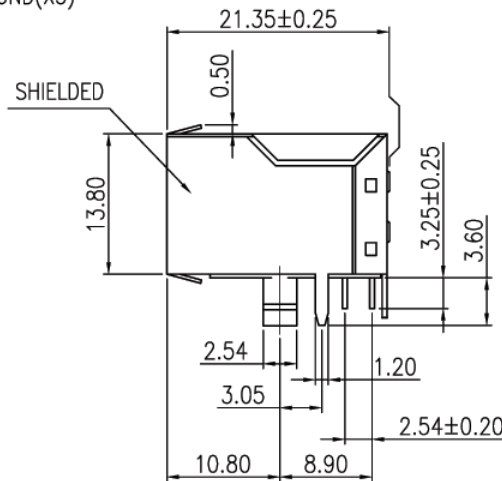
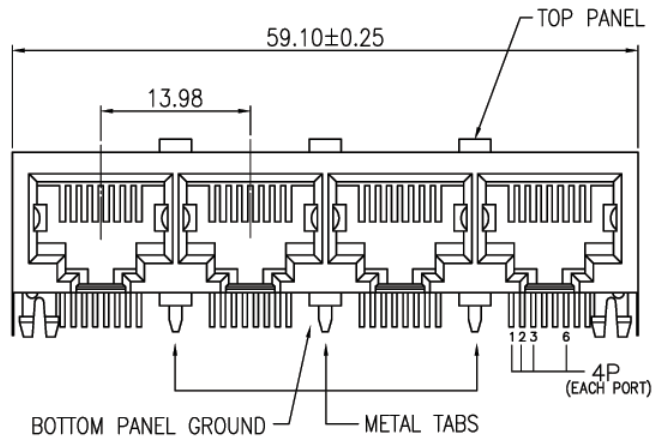
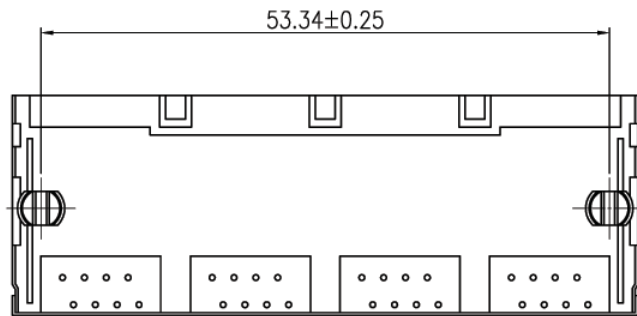


V1.1 NOTE: THIS DEVICE IS ROHS COMPLIANT.

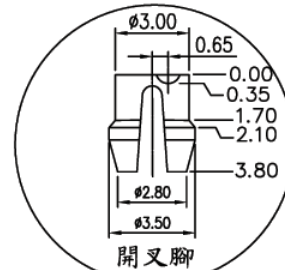
| REVISIONS | | | | | | | |
|--|-------------|------|----------|-----|-------------|------|----------|
| SYM | DESCRIPTION | DATE | APPROVED | SYM | DESCRIPTION | DATE | APPROVED |
| △ | | | | △ | | | |
| △ | | | | △ | | | |
| **CUSTOMER DRAWING FOR REFERENCE ONLY, SAMPLES APPROVAL ARE REQUIRED!! | | | | | | | 121 |



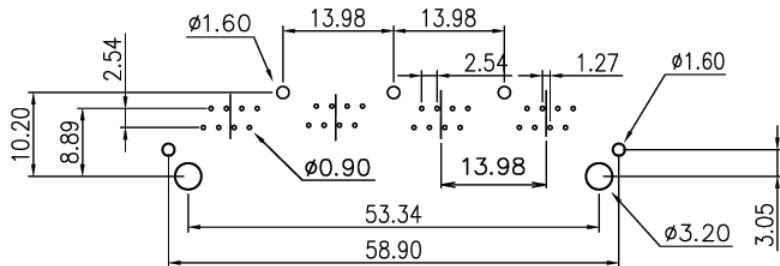
MATERIAL:
HOUSING: PBT POLYESTER UL94V-0
MIXED GLASS FIBER.
STANDARD COLOR-BLACK
CONTACTS: 0.45mm DIA. ROUND CONTACTS
PHOS-BRONZE PLATED WITH HARD GOLD.
MATEL SHIELD: 0.25mm THICK COPPER ALLOY,
PLATED WITH NICKEL.
CAVITY CONFIRMS TO FCC RULES AND REGULATIONS
PART 68,SUBPART F.



ORDER INFORMATION:
MJK648-Pa881GXSX-4D
MJK: MODULAR JACK
648: SERIES NO.
Pa: PCB TYPE, RIGHT ANGLE TYPE
88: NO. OF CONTACT, 8P8C
1: COLOR OF PLASTIC, BLACK
GX: CONTACT PLATING OPTION
-Gf: GOLD FLASH
-Gft: GOLD FLASH ON CONTACT, TIN PLATING ON SOLDER TAIL
-G15t: 15u" GOLD ON CONTACT, TIN PLATING ON SOLDER TAIL
-G30t: 30u" GOLD ON CONTACT, TIN PLATING ON SOLDER TAIL
-G50t: 50u" GOLD ON CONTACT, TIN PLATING ON SOLDER TAIL
SX: SHIELDED OPTION
S: SHIELDED WITHOUT, PANEL GROUNDING TAB
SbTB: SHIELDED WITH TOP AND BOTTOM PANEL GROUNDING TAB
4: 4 OF PORTS
D: DIM D=3.05 mm, PLASTIC PEG IN THE FRONT



SPLIT-PEGS



PC BOARD LAYOUT

| TOLERANCES UNLESS OTHERWISE SPECIFIED ±0.25 | | | SIGNATURES | DATE | MODEL |
|---|------|-------|---------------|------------|-------------------------|
| SYMBOL | UNIT | SCALE | DRAWN AARON | 18/MAY/06' | TITLE MODULAR JACK |
| △ | mm | 1/1 | CHECKED WENDY | 18/MAY/06' | NO. MJK648-Pa881GXSX-4D |
| | | | APPROVALS | | |

Machrone